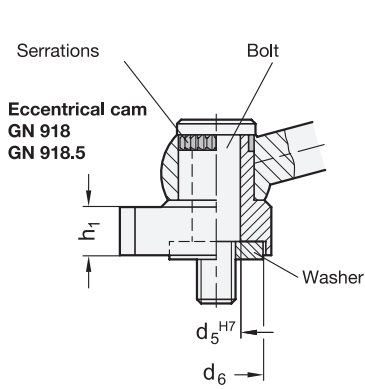
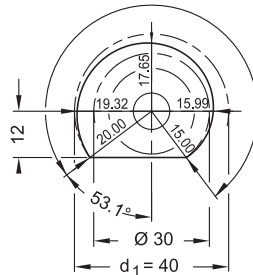


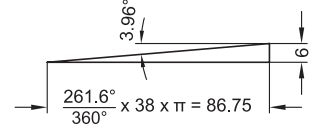
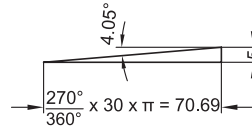
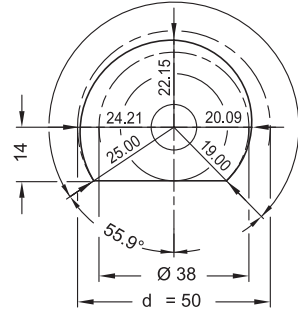
Drawn version: Type KV, Clamping direction R by clockwise rotation



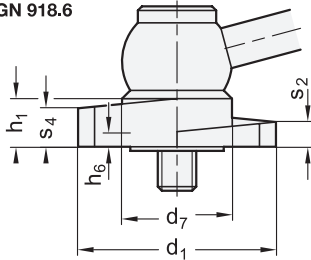
Movement 270°



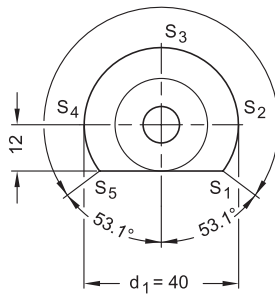
Movement 261,6°



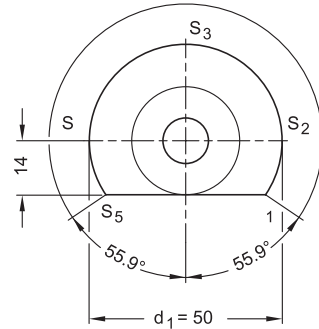
Clamping bolt
GN 918.1
GN 918.6



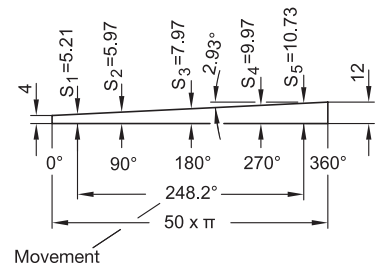
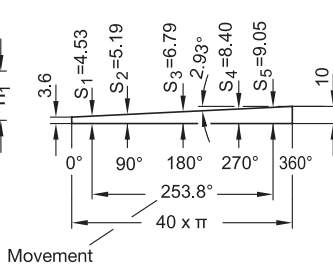
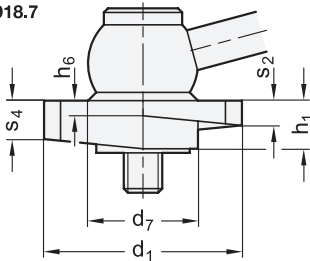
Movement 253,8°



Movement 248,2°



Clamping bolt
GN 918.2
GN 918.7



d ₁ -0,5	d ₅	d ₆	d ₇	h ₁	h ₆
40	10	20	24	10	3,6
50	12	24	28	12	4

1.1
1.2
1.3
1.4
2.1
2.2
2.3
2.4

