

ELESA original design LAC / LAC-R



**4 Type**

- A** with adjustable contact plate
- B** with fixed contact plate

<sup>1</sup> l <sub>1</sub>	<sup>2</sup> d <sub>1</sub>	<sup>2</sup> d <sub>2</sub>	<sup>3</sup> l <sub>2</sub> in clamping position		b	d <sub>3</sub>	d <sub>4</sub>	h stroke at 90° lever rotation	l <sub>3</sub> in clamping position	l <sub>4</sub> Adjustable range	l <sub>5</sub> in clamping position	t useable thread length
63	M 6	M 6	25	50	18	21	18	0,75	22,5	1,5	18	4
79	M 8	M 8	25	50	20	25	20	1	26,5	1,5	21	7

**Specification**

- Lever  
Plastic (Polyamide PA)  
- glass fiber reinforced  
- temperature resistant up to 80 °C  
- black, matte
- Connector  
Plastic (Polyacetal POM)
- Contact plate / Set collar  
Plastic (Polyamide PA)  
black, matte
- **GN 926**  
Axis with threaded bushing / screw  
Steel  
zinc plated, blue passivated
- **GN 926.1**  
Axis with threaded bushing / screw  
Stainless Steel
- *Plastic characteristics → Page 1144*
- **RoHS compliant**

**Information**

Clamping levers with eccentric cam GN 926 / GN 926.1 are used for rapid clamping and releasing. Hereby, contrary to a clamping operation via a thread, these levers permit a **torque-free** clamping.

The lever has been designed to ensure that its movement cannot exceed the max. clamping force.

There are no loose components since they are all assembled and mounted in their correct order.

With these clamping levers with eccentric cam GN 926 / GN 926.1, clamping forces of up to 4 kN (l<sub>1</sub> = 63) bzw. 7 kN (l<sub>1</sub> = 79) can be reached.

Type A has the following benefits:

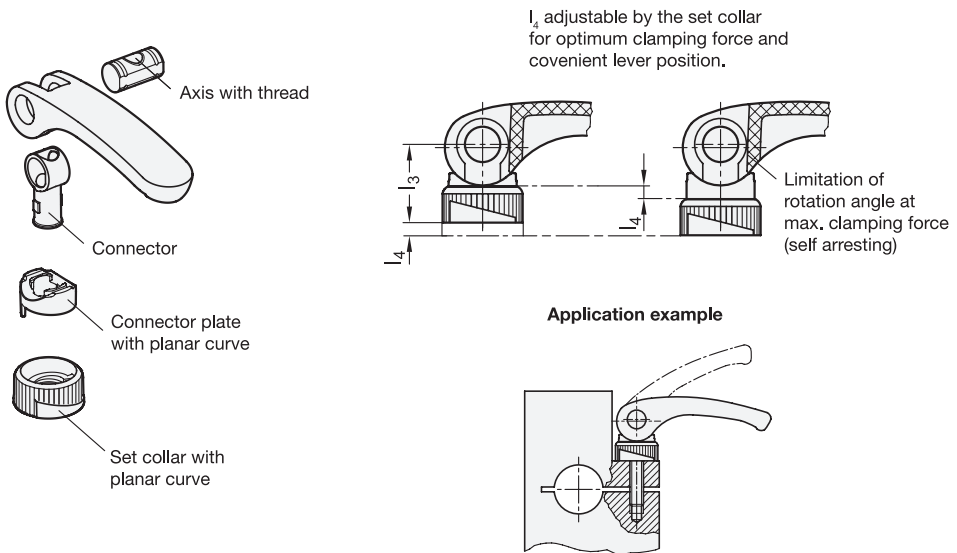
The distance between the lever cams and the clamping surface is adjustable via a planar curve, allowing the clamping position to be set easily with maximum clamping force. Also, the position of the lever relative to the clamping axis can be determined.

How to order (Bushing steel)	
<sup>1</sup> l <sub>1</sub>	<sup>2</sup> d <sub>1</sub>
<b>GN 926-79-M8-A</b>	
<sup>3</sup> l <sub>2</sub>	<sup>4</sup> Type

How to order (Screw Stainless Steel)	
<sup>1</sup> l <sub>1</sub>	<sup>2</sup> d <sub>2</sub>
<b>GN 926.1-79-M8-50-B</b>	
<sup>3</sup> l <sub>2</sub>	<sup>4</sup> Type



**Constructional features (Type A) / Application example**



2.1  
2.2  
2.3  
2.4  
2.5  
2.6  
2.7  
2.8  
2.9