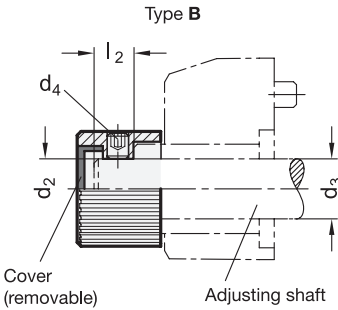


3 Type

- A** Shaft-Ø $d_2 <$ Bore-Ø d_3
- B** Shaft-Ø $d_2 =$ Bore-Ø d_3



1 **2**

d₁	d₂ H9 Bore B of the control knob = Shaft-Ø						d₃ Bore-Ø of the position indicator	d₄ Socket set screw with internal hexagon	l₁	l₂ Length of the protruding shaft		for position indicator
	Type A			Type B						min.	max.	
22	B 6	B 8	-	-	-	B 10	10	M 4	15,5	4,5	9,6	GN 955
27	B 6	B 8	B 10	B 12	-	B 14	14	M 5	19,5	6	11,3	GN 954 / GN 9054
42	B 10	B 12	B 14	B 15	B 16	B 20	20	M 6	24	6,5	15	GN 953 / GN 9053 / GN 9153

Specification

- Aluminum anodized, black
- Stainless Steel-Socket set screw DIN 916 with internal hexagon and serrated point
- Cover Plastic, light gray
- ISO-Fundamental tolerances → Page 1479
- RoHS

Information

Control knobs GN 957 are used in connection with position indicators. These control knobs offer a simple solution when the assembly requires manual fine adjustment for the application for which it has been designed.

The design of this knob adapts it to the diameter d_2 of the adjustment shaft, so that no adapter bushings GN 952.1 are needed.

see also...

- Position indicators GN 953 (counter mechanism) → Page 296
- Position indicators GN 954 (counter mechanism) → Page 298
- Position indicators GN 955 (counter mechanism) → Page 300
- Position indicators GN 9053 (with LCD display) → Page 302
- Position indicators GN 9054 (with LCD display) → Page 304
- Position indicators GN 9153 → New products

How to order

GN957-27-B8-A

- 1** **d₁**
- 2** **d₂**
- 3** **Type**