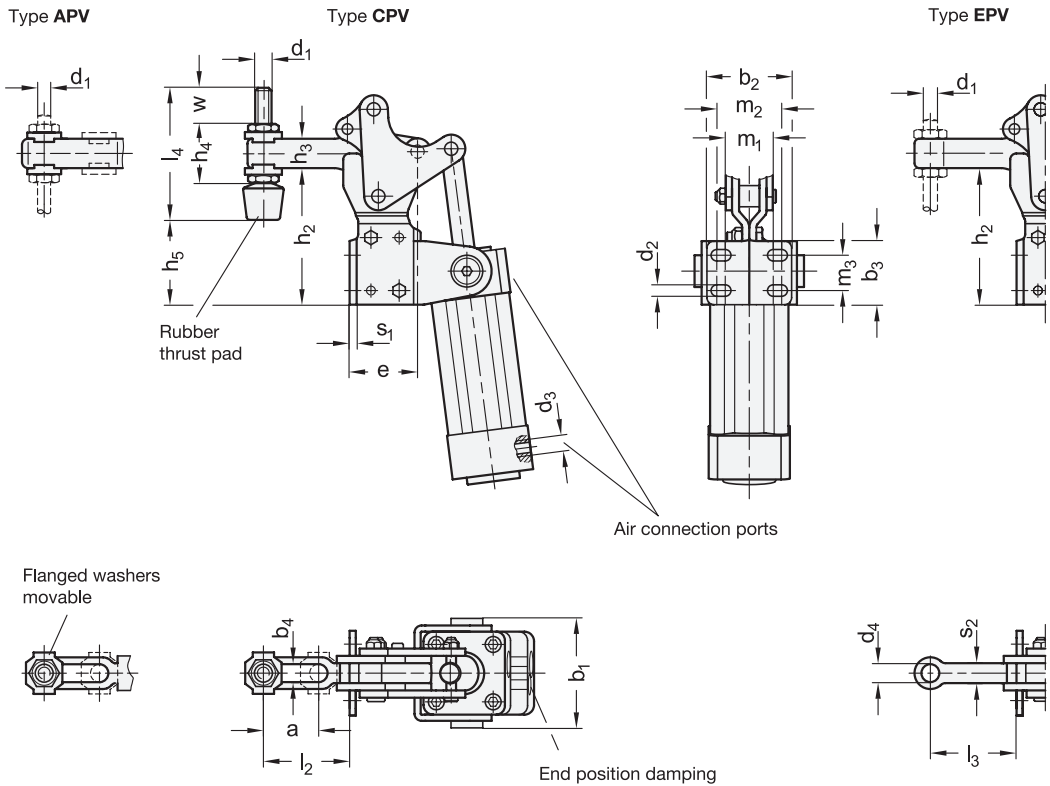


- 2 Type**
 - APV** Clamping arm with slotted hole, with two flanged washers
 - CPV** Clamping arm with slotted hole, with two flanged washers, GN 708.1 Spindle assembly
 - EPV** Clamping arm with bushing
- 3 Coding**
 - M** Magnetic piston

Size		F _H in N Holding capacity	F _S in N Clamping force at 6 bar ≈	a ≈	b ₁ ≈	b ₂	b ₃	b ₄	d ₁	d ₂	d ₃	d ₄	Inside Ø Connection tube	e ≈	h ₁ ≈
Type APV / CPV	Type EPV														
220	-	2200	870	35	62	48	36	6,3	M 6	6,5	G 1/8	-	4	38,3	221
440	-	4400	1220	35	74	65	54	10,3	M 10	8,5	G 1/4	-	6	54,1	287
-	850	8500	2280	-	87,5	75	75	-	M 12	10,5	G 1/4	12,5	8	70,7	355

Size		h ₂	h ₃	h ₄ ≈	h ₅	l ₁ ≈	l ₂ ≈	l ₃ ≈	l ₄	m ₁	m ₂	m ₃	r	s ₁	s ₂	w Adjustable range
Type APV / CPV	Type EPV															
220	-	77	16,6	26	60,3	161	51	-	65	30	34	20	96	3,5	-	27
440	-	106	24	38	78	195	60	-	77	42,5	46,5	30	125	5	-	18
-	850	140	31	-	-	229	-	68	-	52	56	55	151	6	12	-



Specification

- Base
Steel, phosphate-treated
- Bearing pins / bushings
Steel
Hardened and ground
- Double-action air cylinder
with adjustable end position damping
Max. pressure 6 bar
- All moving parts
Lubricated with special grease
- Clamping screw GN 708.1, type A
 - Steel, zinc plated, blue passivated
 - Rubber thrust pad 85 Shore A

• RoHS

Accessory

- Sensor GN 3380 → Page 850

Information

Toggle clamps „Longlife“ GN 962 are equipped with a reinforced body and hardened and ground bearing pins / bushings. This makes them suitable for applications in which substantial forces arise and a long service life is required.

To ensure an extended life of the mechanical parts as well as the pneumatic cylinder, the operating pressure should not exceed 6 bar. In addition, a compressed-air control unit should be mounted in the air intake line.

Toggle clamps GN 962 are equipped with a magnetic piston as standard. This makes end position detection possible in connection with sensors GN 3380.

see also...

- [More Information for Toggle Clamps \(Pneumatic\)](#) → Page 790

How to order

1 2 3
GN 962-440-APV-M

1	Size
2	Type
3	Coding

