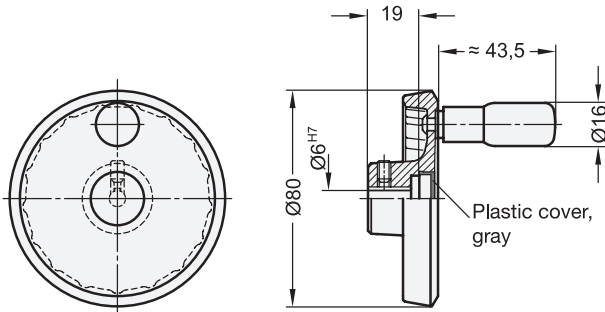


# Handwheels for linear actuators and transfer units

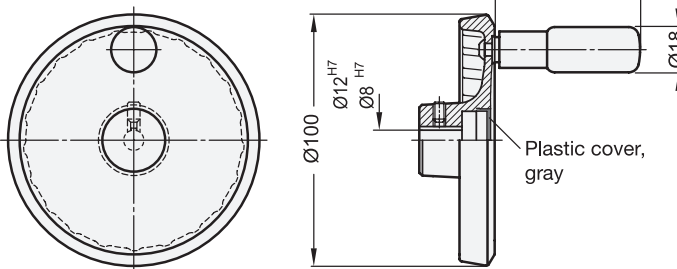
Aluminum, black plastic coated



**Disc handwheel for**  
- Linear actuator Ø 18  
- Double tube linear actuator Ø 18  
GN 923.18-80-K6-R

## Specification

see GN 923 → Page 186

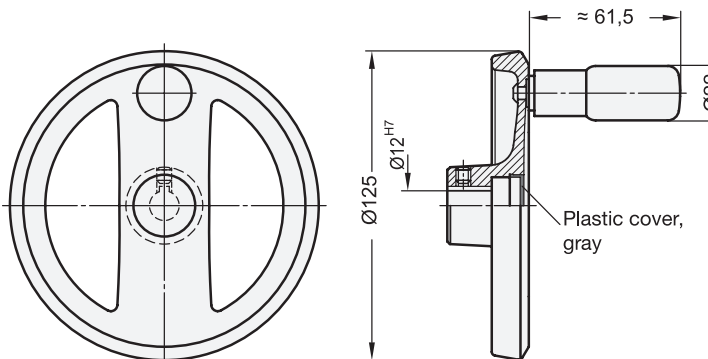


**Disc handwheel for**  
- Linear actuator Ø 30 /  $\nabla$ 30  
- Double tube linear actuator Ø 30  
GN 923.30-100-K8-R

**Disc handwheel for**  
- Linear actuator Ø 40 /  $\nabla$ 40  
- Double tube linear actuator Ø 40  
GN 923.40-100-K12-R

## Specification

see GN 923 → Page 186



**Spoked handwheel for**  
- Linear actuator Ø 40 /  $\nabla$ 40  
- Double tube linear actuator Ø 40  
GN 924.40-125-K12-R

## Specification

see GN 924 → Page 174