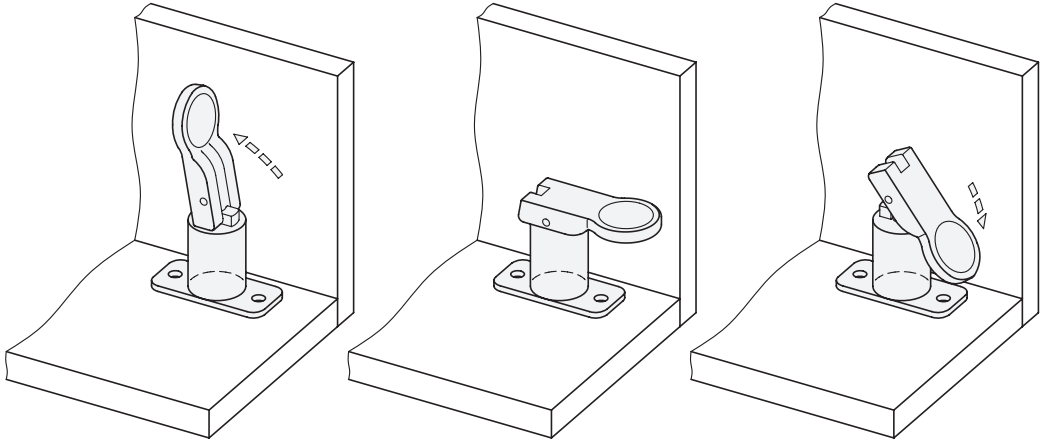


Form C



Rastsperr

Form B

