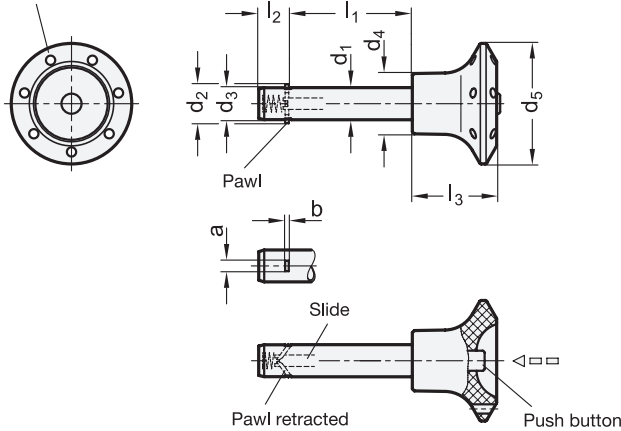
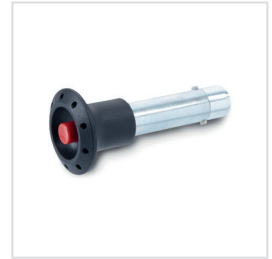
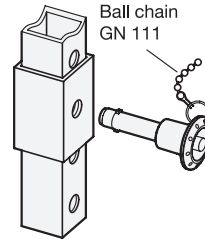


Bore for key ring (ball chain)



Application example



1 2

d_1 -0,1	$l_1 +0,4$ Minimum size														a	b	d_2	d_3	d_4	d_5	l_2	l_3	
6	10	12	16	20	25	30	35	40	45	50	60	70	80	-	-	2,3	0,5	7,3 ^{+0,5}	5,9	15	30	7	21
8	10	16	20	25	30	35	40	45	50	60	70	80	90	100	-	2,8	0,6	9,8 ^{+0,5}	7,9	15	30	8,4	21
10	15	20	25	30	35	40	45	50	60	70	80	90	100	110	120	3,3	1	11,7 ⁺¹	9,9	18	34	9,8	26
12	20	25	30	35	40	45	50	60	70	80	90	100	110	120	-	3,8	1	13,7 ⁺¹	11,9	18	34	11,3	26
16	30	35	40	45	50	60	70	80	90	100	110	120	130	140	150	4,8	1,2	18,7 ⁺¹	15,9	22	40	14,2	32
20	30	35	40	45	50	60	70	80	90	100	110	120	130	140	150	4,8	1,2	22,7 ⁺¹	11,9	25	40	14,8	33

Specification

- Pin
Steel
Zinc plated, blue passivated
- Pawl
Stainless steel AISI 304 (sheet metal)
- Knob
Plastic (Polyamide PA)
- Black-gray
- Temperature resistant up to 80 °C
- Push button / Slide
Plastic
- Push button: red
- Temperature resistant up to 80 °C
- Pressure spring
Stainless steel AISI 301
- Load Capacity → Page 2131
- ISO Fundamental Tolerances → Page 2151
- Stainless Steel Characteristics → Page 2166
- RoHS

Accessory

- Ball Chains GN 111 → Page 1174
- Ball Chains GN 111.5 → Page 1174
- Retaining Cables GN 111.2 → Page 1176
- Spiral Retaining Cables GN 111.4
→ Page 1175

Information

Locking pins with axial lock GN 114.2 are used for quick fixing, connecting and locking of various jig and fixture systems. A typical application is location pins which have to be often removed and re-placed again.

The rectangular pawls made of stainless steel sheet metal keep the locking pin in an axial position in the bore. It can be retracted by pressing the button, once released it returns the pressure spring into its locking position.

The technical appendix contains the load capacities for the double-sided shearing resistance (breaking strength).

see also...

- List of Lock Pin Types → Page 1008 ff.
- Locking Pins GN 214.2 (with Lifting Ring) → Page 1022
- Guide Bushings DIN 172 (with Collar) → Page 1112
- Guide Bushings DIN 179 (without Collar) → Page 1112

How to order

GN 114.2-10-60

- 1 d_1
- 2 l_1

