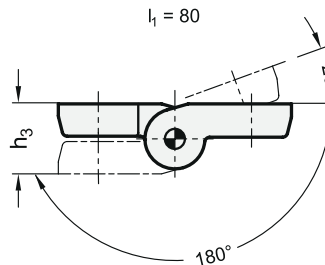
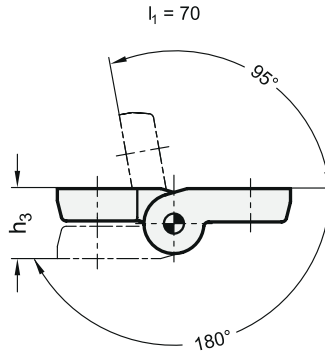


Swivelling range



1	2	3	$l_1 -0,5$	l_2	d_1	d_2	h_1	h_2	h_3	l_3	$m_1 \pm 0,25$	$m_2 \pm 0,25$	t	For screws DIN 7984
			70	50	6,5	6	19,5	10	21	24	45,5	30	6,5	M 6
			70	50	8,5	6	19,5	10	21	24	45,5	30	4,5	M 8
			80	102	6,5	5	20,5	13	26	35,5	49,5	72,5	6,5	M 6
			80	102	8,5	5	20,5	13	26	35,5	49,5	72,5	8	M 8

Specification

- Plastic (Polyamide PA)
 - Black, matte finish
 - Temperature resistant up to 80 °C
- Pin
Stainless steel AISI 303
- *Load Rating Information* → Page 2126
- *Plastic Characteristics* → Page 2158
- *Stainless Steel Characteristics* → Page 2166
- RoHS

Information

- see also...
- *List of Hinge Types* → Page 1284 ff.

How to order

GN 157-70-50-8,5

- 1 l_1
- 2 l_2
- 3 d_1

