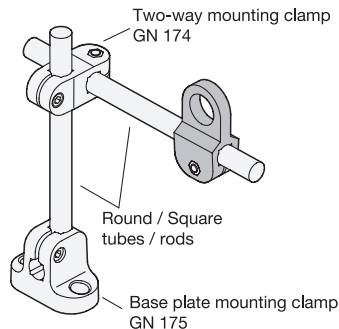
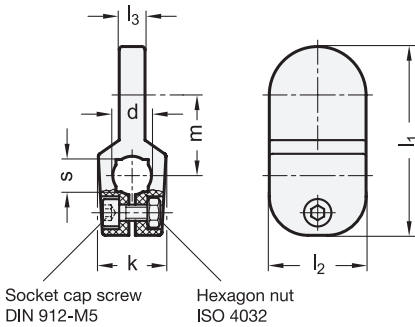


Application example



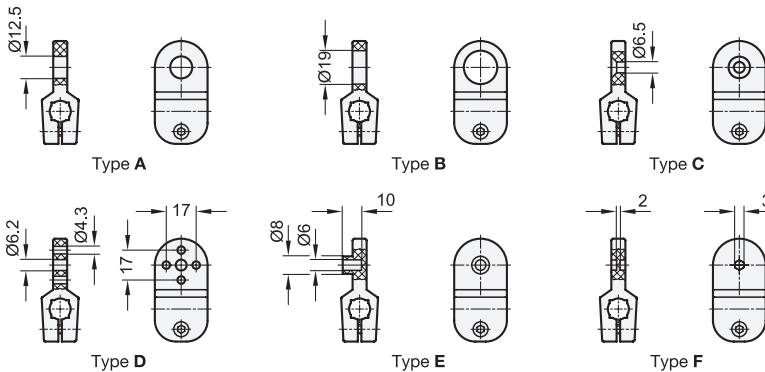
2 Type

- A** For sensor mounting
- B** For sensor mounting
- C** With bore for countersunk screw M6
- D** For reflector mounting
- E** For reflector mounting
- F** For inserting specific drillings



Socket cap screw
DIN 912-M5

Hexagon nut
ISO 4032



1

d Bore	k	l ₁	l ₂	l ₃	m	s Square
B 10	21	58,5	30	8	25	V 8
B 12	21	58,5	30	8	25	V 10
B 14	21	58,5	30	8	25	V 12

Specification

- Plastic (Polyamide)
 - Glass fiber reinforced
 - Temperature resistant up to 60 °C
 - Black, matte finish
- Socket cap screws DIN 912
Stainless steel AISI 304
- Hex nuts ISO 4032
Stainless steel AISI 304
- *Plastic Characteristics* → Page 2158
- *Stainless Steel Characteristics* → Page 2166
- **RoHS**

Information

Work gripper blocks GN 176 are designed for inserting commercial sensors and reflectors.

They are normally used in combination with clamp mountings and are designed for mounting both on round tubes (-rods) and on square tubes (-rods). A form-lock prevents the rotation of the clamping element in square tubes (-rods).

see also...

- *More Fixing Elements for Sensors:*
 - GN 479 → Page 1802
 - GN 177.1 → Page 1806
 - GN 271.4 / GN 272.4 / GN 273.4 → Page 1776 ff.
- *Retaining Rods / Retaining Tubes GN 480.1* → Page 1833
- *Base Plate Mounting Clamps GN 175* → Page 1807

How to order

GN 176-B14-A

1	d
2	Type

3.1
3.2
3.3
3.4
3.5
3.6
3.7
3.8
3.9

