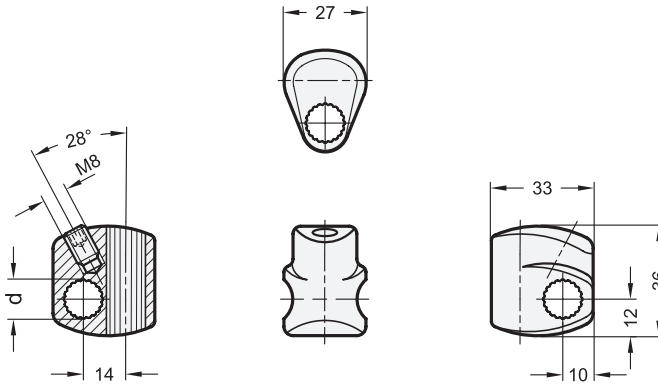




ELESA original design MSR.60-C



|          |
|----------|
| <b>d</b> |
| 13       |

**Specification**

- Plastic
  - glass fiber reinforced
  - black, matte
- *Plastic characteristics* → Page 1483
- **RoHS**

**Information**

Accessories for universal work holding and positioning fixtures GN 177.  
 see also...  
 • *Universal work holding and positioning fixtures GN 177* → Page XYZ

How to order

**GN 177.3-13**

1 d

3.1  
3.2  
3.3  
3.4  
3.5  
3.6  
3.7  
3.8  
3.9  
3.10