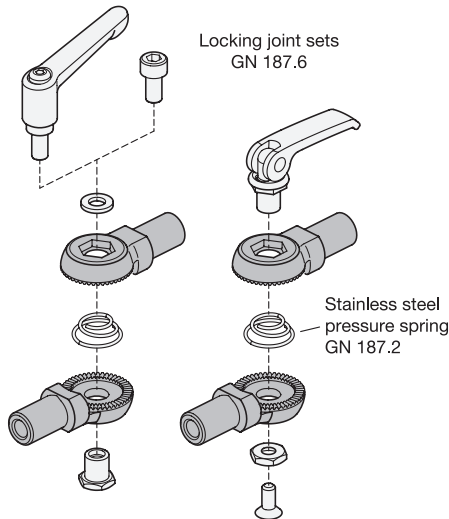
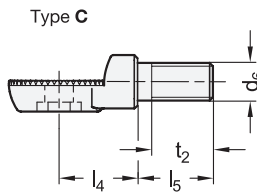
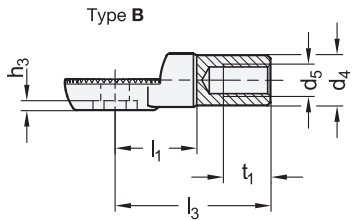


EDDELSTAHL®  
Rost  
frei  
Inox  
Stainless  
Steel

- 3 Type**
- A** Stud, plain (for welding)
  - B** Stud, with internal thread
  - C** Stud, with external thread
  - DH** Fastening flange, horizontal
  - E** Plate (for welding)

**Assembly instruction and accessory**



**1**

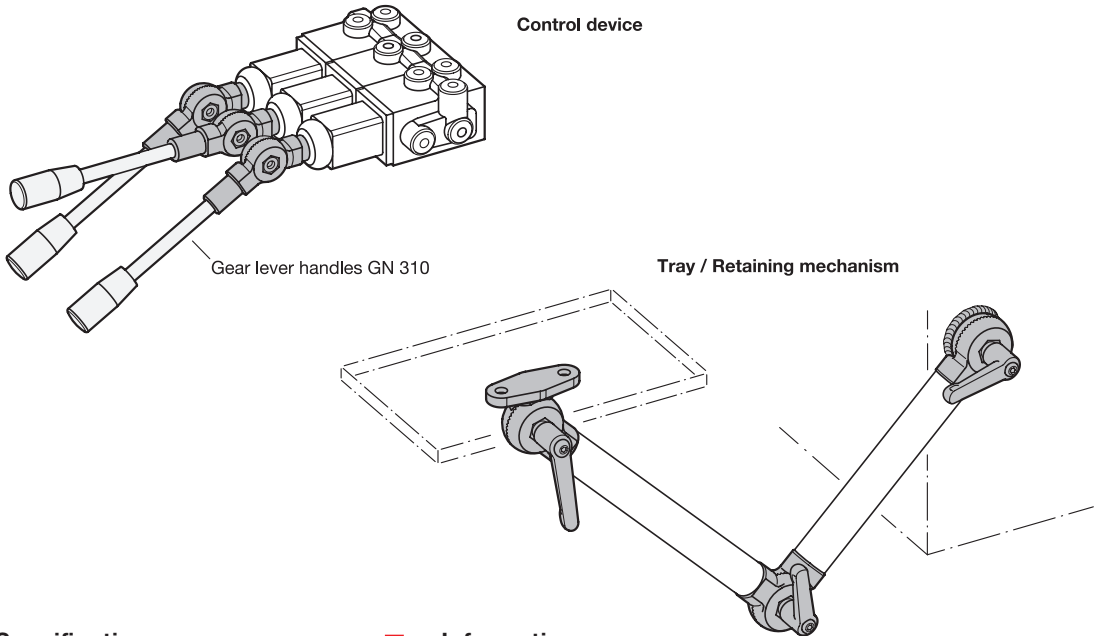
**2**

d <sub>1</sub>	z Tooth count		b	d <sub>2</sub>	d <sub>3</sub>	d <sub>4</sub>	d <sub>5</sub>	d <sub>6</sub>	d <sub>7</sub>	d <sub>8</sub>	h <sub>1</sub> Middle of the teeth	h <sub>2</sub> (2 x h <sub>1</sub> )	h <sub>3</sub>	h <sub>4</sub>	h <sub>5</sub>
27	48	60	46	9	18	13	M 8	M 10	5,3	2,5	8	16	3	20	1,5
32	48	60	54	9	21	16	M 10	M 12	6,5	3	9,5	19	3	22	2
40	48	60	70	11	27	20	M 12	M 16	8,5	4	12	24	4	30	2,5

d <sub>1</sub>	k	l <sub>1</sub>	l <sub>2</sub>	l <sub>3</sub>	l <sub>4</sub>	l <sub>5</sub>	l <sub>6</sub>	m <sub>1</sub>	m <sub>2</sub>	s <sub>1</sub>	s <sub>2</sub>	t <sub>1</sub>	t <sub>2</sub>	w min. Stroke
27	5	21	20	40,5	21	20	21	32	17	14	12	12	17	0,8
32	6	26	24	49,5	25	24	25	38	20	17	12	15	20	0,8
40	7	31,5	32	63	31	32	30,5	48	24	22	14	18	26	1

z Tooth count	Angle steps	Possible angles / index positions
48	7,5°	0° 7,5° 15° 30° 45° 60° 90°
60	6°	0° 6° 12° 18° 24° 30° 60° 90°

## Application examples



## Specification

- Stainless steel precision casting **NI**  
AISI CF-8  
Matte shot-blasted
- Stainless Steel Characteristics → Page 2166
- RoHS

## Accessory

- Locking Joint Sets GN 187.6 (Stainless Steel) → Page 1106
- Serrated Locking Plates GN 187.4 (Steel / Stainless Steel) → Page 1100
- Thrust Springs GN 187.2 (Stainless Steel) → Page 1103

## Information

Locking plates GN 187.5 can be installed in combination with locking joint sets GN 187.6 to create locking joints. This allows gear lever handles and retaining tubes or trays and mounts to be adjusted relative to each other at defined angles with a form-locking connection. The angle orientation of the teeth is adapted to the connecting elements, permitting an axis-parallel or right-angled arrangement. The tooth count of 48 / 60 enables the adjustment in 7.5° or 6° steps, resulting in the indexing positions listed in the separate table.

Held together and centered by locking joint sets, the various types can be combined together arbitrarily with identical the nominal sizes  $d_1$ . Thrust springs GN 187.2 can be placed between the locking heads during mounting, allowing a clean separation upon removal. Additional design possibilities arise from the compatibility of the locking heads with the locking plates GN 187.4.

When welding on, type E be easily positioned on the opposing part and fastened by means of the mounting holes  $d_8$  (which are aligned with the teeth) using dowel pins or positioning pins.

see also...

- Stainless Steel Serrated Locking Plates GN 188 → Page 1108

### How to order

1	$d_1$
2	Number of teeth z
3	Type
4	Material

**GN 187.5-32-48-DH-NI**