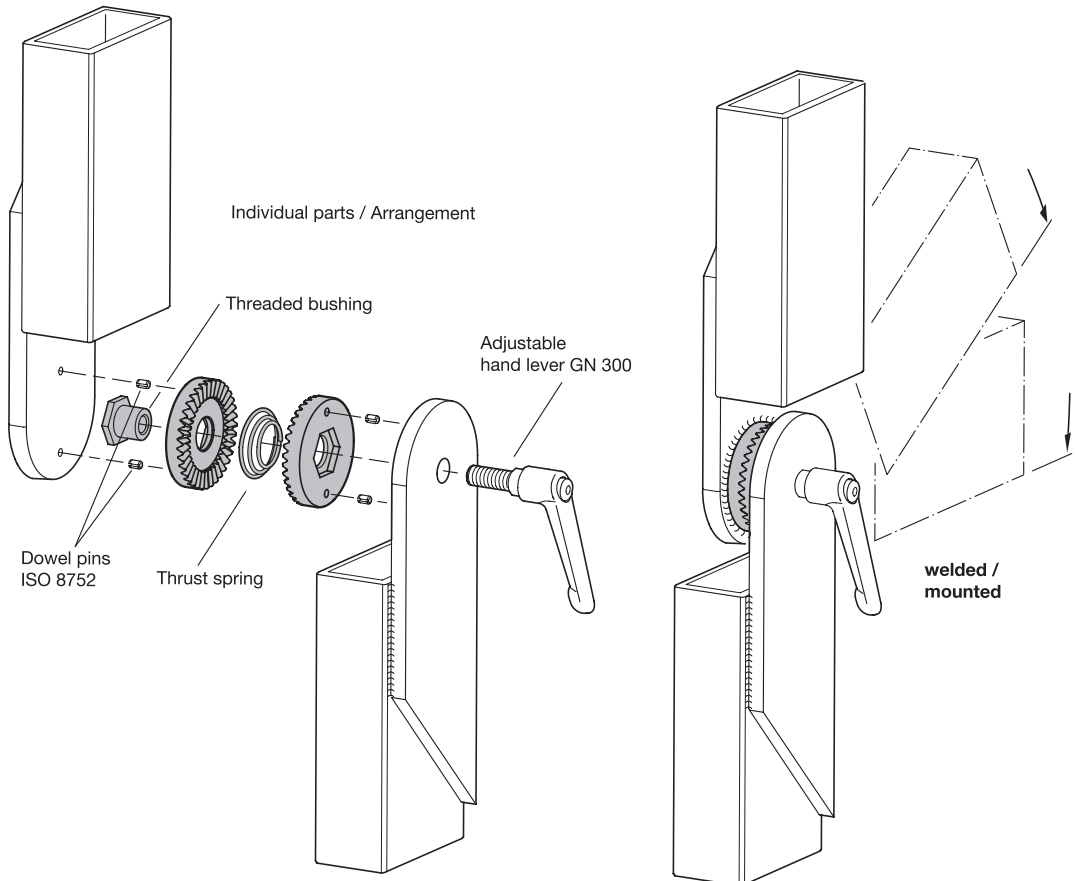




z Tooth count	Angle steps	Possible angles / index positions
24	15°	0° 15° 30° 45° 60° 90°
36	10°	0° 10° 20° 30° 60° 90°

Application example



3.1
3.2
3.3
3.4
3.5
3.6
3.7
3.8
3.9

