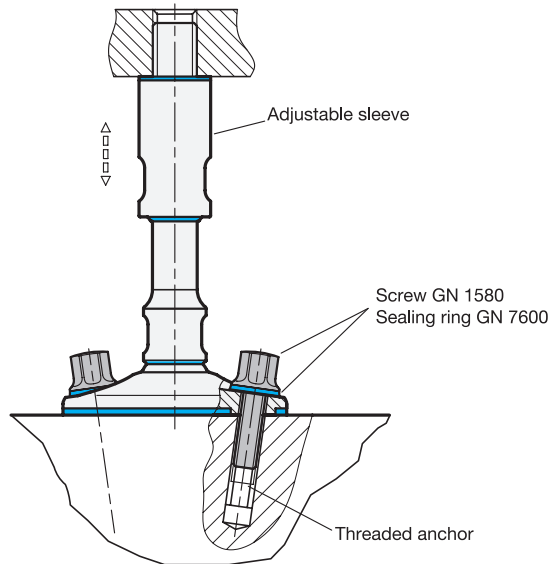


4 Type
B With mounting holes

¹ d ₁	² d ₂	³ l ₁	d ₃	d ₄	l ₂	l ₃	k	A/F ₁	A/F ₂	Static load in kN (see information)	
80	M 12	175	225	25	9,5	14	35	55,5	17	19	16
80	M 16	175	225	28	9,5	19	35	55,5	18	22	30
80	M 20	185	235	32	9,5	24	35	55,5	24	27	47
80	M 24	185	235	36	9,5	29	35	55,5	24	30	67
100	M 16	175	225	28	12	19	35	69	18	22	30
100	M 20	185	235	32	12	24	35	69	24	27	47
100	M 24	185	235	36	12	29	35	69	24	30	67
120	M 16	175	225	28	12	19	35	89	18	22	30
120	M 20	185	235	32	12	24	35	89	24	27	47
120	M 24	185	235	36	12	29	35	89	24	30	67

Mounting example



Specification

- Spindle, adjustable sleeve, foot plate
 - Stainless steel AISI 304
 - Turned
- Seals, blue, FDA compliant
 - Sealing ring
NBR, hardness 70 ±5 Shore A
 - Wiper
TPU, hardness 95 ±5 Shore A
 - Joint sealing ring
H-NBR, hardness 85 ±5 Shore A
 - Bottom seal
Silicone, hardness 85 ±5 Shore A
- *EHEDG and 3-A Principles* → Page 1454
- *Plastic Characteristics* → Page 2158
- *Stainless Steel Characteristics* → Page 2166
- RoHS

Accessory

- Cover Sleeves GN 20.1 → Page 1456
- Sealing Rings GN 7600 → Page 1596
- Wipers GN 7607 → Page XYZ
- Screws GN 1580 → Page 1060
- Screws GN 1581 → Page 1061

Information

Leveling feet GN 20 with mounting holes comply with the guidelines of the EHEDG, the 3-A sanitary standard 88-01 and the DGUV testing principles, making them extremely suitable for use in hygienic areas.

The bottom seal protects the area beneath the foot plate from dirt. For this, the foot must be screwed on using the fixing holes and compressed accordingly. Hygienic fastenings, e.g. GN 1580 screws and nuts, and the correct position of the mounting holes are essential. The sealing ring above the adjustment sleeve enables fastening without dead space. Due to the wiper or the joint sealing ring, the moving components are sealed against the environment.

The high quality finish prevents adherence of dirt and facilitates cleaning.

The values listed in the table for static load capacity refer to a purely vertical load in relation to the leveling foot. Under normal operating conditions bending loads or angular loads are not uncommon and result in a reduction of load capacity, which must be taken into consideration.

see also...

- *Product Family Hygienic Design* → Page 16
- *Basics Hygienic Design* → Page 1454
- *Leveling Feet GN 20*
(Stainless Steel, without Mounting Holes, *Hygienic Design*)
→ Page 1450

How to order

1	d ₁
2	d ₂
3	l ₁
4	Type

GN 20-120-M16-175-B

