



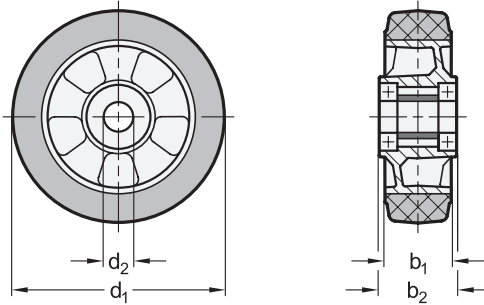
elesa
Original design RE.G2

2 Bearing type

K Ball bearing

3 Type

A Wheel without bracket



1

d1 Wheel Ø	b1	b2	d2	Recommended ergonomic max. load in N	Max. static load capacity in N	Max. dynamic load capacity in N
100	40	40	15	1800	2500	1800
125	50	59	20	2300	3200	2300
160	50	58	20	3000	4200	3000
200	50	58	20	3000	10000	5000

Specification

Wheel tread

- Natural rubber (NR)
- Black
- Hardness 70 Shore A

Wheel core

Aluminum die casting

Operating temperature -20 °C to +70 °C

RoHS

Wheels GN 22875 are used in industrial and public indoor and outdoor areas for moving medium weight carts, for example.

The wheel tread is suitable for all floor types. It runs quietly and is gentle on floors while offering good obstacle clearing and vibration damping.

The low wear on the ball bearing increases the service life, and the mounting to the inner ring can be accomplished with zero axial backlash.

see also...

	Page
GN 22875 Medium Duty Casters (with Bracket, Medium Version)	QVX
GN 22872 Wheels (Wheel Tread Thermoplastic Elastomer)	QVX
GN 22873 Wheels (Wheel Tread Rubber, Wheel Core Polypropylene)	QVX
GN 22874 Wheels (Wheel Tread Rubber, Wheel Core Steel Sheet Metal)	QVX

Technical Information

Operating Conditions of Wheels and Casters	QVX
Technical Information for Wheels and Casters	QVX
Plastic Characteristics	QVX

How to order

GN 22875 -125-K-A

1	d ₁
2	Bearing type
3	Type