



elesa
Original design RE.F5 / RE.F5-ESD

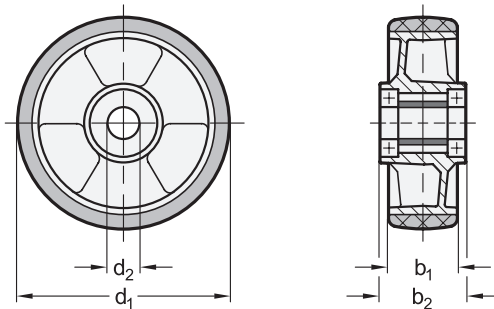


2 Bearing type

K Ball bearing

3 Type

- A** Wheel without bracket
- AE** Wheel without bracket, ESD



d ₁ Wheel Ø	b ₁	b ₂	d ₂	Recommended ergonomic load capacity in N	Max. static load capacity in N		Max. dynamic load capacity in N	
					Type A	Type AE	Type A	Type AE
80	25	30	12	1500	2800	2200	2200	1700
100	30	40	12	2250	3500	2800	2500	2000
125	35	40	12	2800	5000	4000	4000	3200
150	40	50	20	3300	8500	6800	6000	4800
200	50	55	20	3600	10000	8000	8500	6800

Specification

Wheel tread

- Plastic, polyurethane (PUR) at type A
 - Cast
 - Yellow
 - Hardness 92 Shore A
- Plastic, polyurethane (PUR) at type AE
 - Electrically conductive (ESD)
 - Resistance <math> <10^9 \Omega </math> (ISO 22878:2004)
 - Cast
 - Dark gray
 - Wear resistant
 - Hardness 90 Shore A

Wheel core

Aluminum die casting

Operating temperature -20 °C to +80 °C

RoHS

Wheels GN 22885 are used in industrial and public indoor areas for moving transport carts, for example.

The wheel tread offers low rolling resistance and high elasticity as well as good wear and tearing resistance.

Wheels of type AE are intended for use in an electrostatic protected area (EPA). The plastic used dissipates electrostatic charges in a controlled manner.

The low wear on the ball bearing increases the service life, and the mounting to the inner ring can be accomplished with zero axial backlash.

see also...

	Page
GN 22885 Medium Duty Casters (with Bracket, Light Version)	QVX
GN 22885 Medium Duty Casters (with Bracket, Medium Version)	QVX
GN 22886 Wheels (Wheel Tread Polyurethane, Green)	QVX
GN 22887 Wheels (Wheel Core Cast Iron)	QVX

Technical Information

Usage Conditions of Wheels and Casters	QVX
Technical Information for Wheels and Casters	QVX
ESD basics	QVX
Plastic Characteristics	QV

How to order

GN 22885-100-K-A

- 1** d₁
- 2** Bearing type
- 3** Type