

ROSTFREI
Inox
Stainless
Steel

4 Type

- B** With plain washer
- E** With washer with eyelet
- L** With washer with mounting shackle (only identification no. 1)

5 Identification no.

- 1** Without cross hole
- 2** With cross hole for spring cotter pin GN 1024

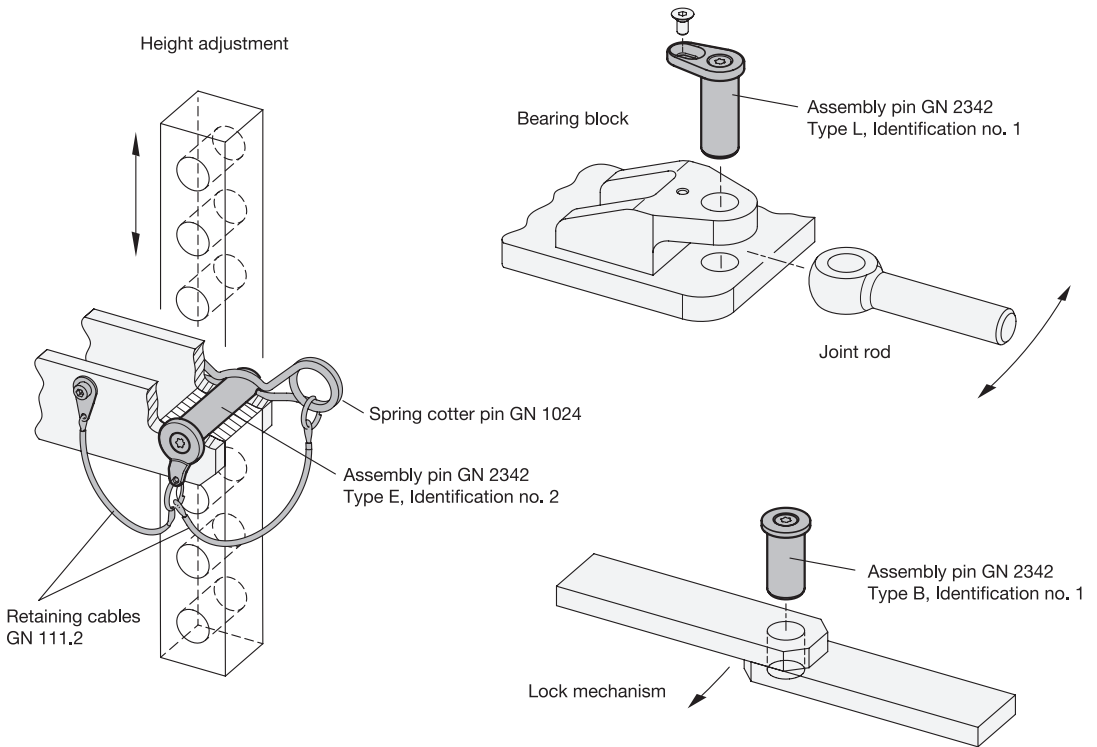
2 **3**

d_1 h9	l_1						d_2	d_3	d_4	d_5	l_2	l_3	l_4	l_5	l_6
8	16	20	24	28	30	32	2,5	12	2,5	4,3	5,5	7	13,5	18	10
8	35	40	45	50	55	60	2,5	12	2,5	4,3	5,5	7	13,5	18	10
10	20	24	30	35	40	45	2,5	15	2,5	4,3	6	7	15	21	11
10	50	55	60	65	70	80	2,5	15	2,5	4,3	6	7	15	21	11
12	20	24	30	35	40	45	2,5	17	3	5,3	7	9	18,5	23	12
12	50	55	60	65	70	80	2,5	17	3	5,3	7	9	18,5	23	12
16	32	35	40	45	50	55	3,5	22	3	5,3	8	9	21	28	15
16	60	65	70	80	90	100	3,5	22	3	5,3	8	9	21	28	15
20	40	45	50	55	60	65	4,5	26	3,5	6,4	10,5	9	24	31	17
20	70	80	90	100	-	-	4,5	26	3,5	6,4	10,5	9	24	31	17

2 **3**

d_1 h9	l_1						l_7	s_1	s_2	Suitable key rings for type E	Suitable spring cotter pins for identification no. 2
8	16	20	24	28	30	32	2	3	4	Ø14	GN 1024-NI-2-D
8	35	40	45	50	55	60	2	3	4	Ø14	GN 1024-NI-2-D
10	20	24	30	35	40	45	4	3	4	Ø14	GN 1024-NI-2-E / ...-D
10	50	55	60	65	70	80	4	3	4	Ø14	GN 1024-NI-2-E / ...-D
12	20	24	30	35	40	45	4	4	4,5	Ø14 / Ø18	GN 1024-NI-2-E / ...-D
12	50	55	60	65	70	80	4	4	4,5	Ø14 / Ø18	GN 1024-NI-2-E / ...-D
16	32	35	40	45	50	55	6	4	4,5	Ø14 / Ø18	GN 1024-NI-3-E / ...-D
16	60	65	70	80	90	100	6	4	4,5	Ø14 / Ø18	GN 1024-NI-3-E / ...-D
20	40	45	50	55	60	65	6	4	5	Ø14 / Ø18 / Ø24	GN 1024-NI-4-E / ...-D
20	70	80	90	100	-	-	6	4	5	Ø14 / Ø18 / Ø24	GN 1024-NI-4-E / ...-D

Application example



Specification

- Assembly pin
Stainless steel AISI 304
- Washer
Stainless steel
 - Type B: turned AISI 304
 - Type E:
metal injection molded AISI 316LHC
 - Type L: sintered AISI 316LHC
- Countersunk screw
 - Stainless steel AISI 304
 - Not removable loctited
- *Load Capacity* → Page XYZ
- *Stainless Steel Characteristics* → Page 2166
- RoHS

Accessory

- Ball Chains GN 111 / GN 111.5 → Page 1174
- Retaining Cables GN 111.2 → Page 1176
- Spiral Retaining Cables GN 111.4 → Page 1175
- Key Rings GN 111.3 → Page 1178

Information

Assembly pins GN 2342 are characterized by their use in diverse applications. Depending on the requirement there are three washer types to choose from, which place the assembly pin in an axial position in its insertion direction. With the washer with eyelet (Type E) the assembly pin and a corresponding GN 1024 spring cotter pin can be secured to prevent loss using a retaining cable or ball chain. The washer with mounting shackle (Type L) simultaneously acts as loss protection and anti-rotation protection.

Assembly pins according to identification no. 2 are secured against falling out via a transverse drill hole which is aligned to the GN 1024 spring cotter pin.

The technical annexe contains the load capacities for the double-sided shearing resistance (breaking strength).

see also...

- *List of Lock Pin Types* → Page 1008 ff.
- *Retaining Washers GN 2344 (Stainless Steel)* → Page 1030

How to order

1	Material
2	d _i
3	l ₁
4	Type
5	Identification no.

GN 2342-NI-10-24-B-2

