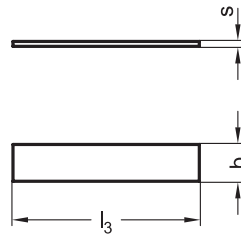
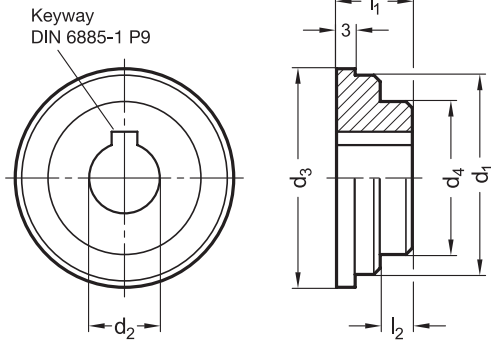


GN 268

GN 374



¹ d ₁ f7	² d ₂ H7 Bore with keyway K				³ s	⁴ b	d ₃	d ₄	l ₁	l ₂	l ₃	Scaling set consists of: 2 Collar bushes GN 268	
												1 Scale ring	3 Flat springs
24	K 12	-	-	-	0,3	10	26,7	18	13,5	5,5	21	GN 264-30	GN 374-0,3-10
32	K 12	K 14	K 16	-	0,4	10	35,7	25	13,5	5,5	29	GN 264-40	GN 374-0,4-10
50	K 12	K 16	K 20	K 28	0,6	10	54,7	38	14,5	5,5	45	GN 264-60	GN 374-0,6-10
68	K 12	K 14	K 16	K 22	0,8	10	74,7	50	14,5	5,5	60	GN 264-80	GN 374-0,8-10

Specification

Steel	
Plain	
RoHS	

see also...	Page
GN 264 Scale Rings (with or without Scale)	QVX
GN 264 Scale Rings (with or without Scale)	QVX

Technical Information

Keyway P9 DIN 6885-1	QVX
ISO Fundamental Tolerances	QVX

How to order (Collar bushing)	1 d ₁
¹ ² GN 268-32-K16	2 d ₂

How to order (Flat spring)	1 s
¹ ² GN 374-0,3-10	2 b