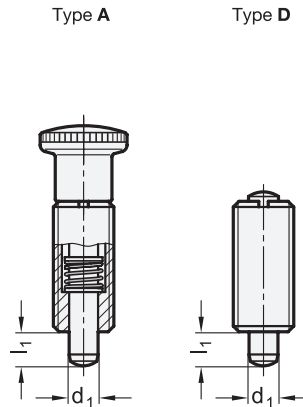
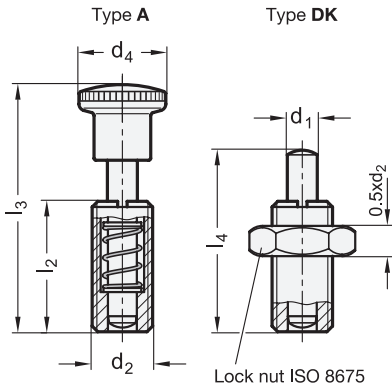


Normal position:
Plunger pin retracted

Operating position:
Plunger pin protruded



2 Type

- A** With knob, without lock nut
- AK** With knob, with lock nut
- D** Without knob, without lock nut
- DK** Without knob, with lock nut

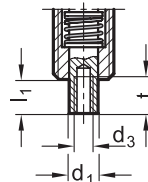
3 Identification no.

- 1** Plunger without internal thread
- 2** Plunger with internal thread

Identification no. 2



Identification no. 2



d ₁ Pin Bore H7	d ₂	d ₃	d ₄	l ₁	l ₂	l ₃ ≈	l ₄ ≈	t min.	Spring load in N ≈				Code no. Screwdriver
									Steel		Stainless Steel		
									Initial	End	Initial	End	
5	M 10 x 1	M 3	16	6	22	42	29	7	8	20	7	18	GN 613.1-5
6	M 12 x 1,5	M 4	19	7	26	49	35	7	9	28	8	21	GN 613.1-6
8	M 16 x 1,5	M 5	23	9	34	65	48	9	12	40	11	32	GN 613.1-8
10	M 20 x 1,5	M 6	28	11	43	78	57	12	22	50	18	43	GN 613.1-10

Specification

- Guide (Threaded socket)
 - Steel, blackened **ST**
 - Stainless steel AISI 303 **NI**
- Plunger pin
 - Stainless steel AISI 303
 - Chemically nickel plated
- Knob plastic (Polyamide PA)
 - Black, matte finish
 - Not removable
- *Load Rating Information* → Page 2132
- *ISO Fundamental Tolerances* → Page 2151
- *Plastic Characteristics* → Page 2158
- *Stainless Steel Characteristics* → Page 2166
- **RoHS**

Accessory

- Screw Drivers GN 613.1
(Code no. see table)

Information

The plunger pin in the spring bolts GN 313 does not protrude in the inoperative position. It can be operated manually or in Type D and DK mechanically (pneumatic cylinder, cam plate, etc.) when it will protrude only as long as it is operated.

Using the internal thread at identification 2 on the pressure side, special pressure bolts or a rod arrangement can be operated, for instance.

The screw drivers GN 613.1 (available as accessory) shorten the assembly time and make it easier to hold the mechanism in place while fixing the lock nut. The screw driver is inserted in the side between the knob and guide, where it engages the slot in the guide.

see also...

- *List of Indexing Plunger Types* → Page 884 ff.
- *Spring Elements GN 513* → Page 998

How to order

GN 313-8-AK-1-ST

1	d ₁
2	Type
3	Identification no.
4	Material