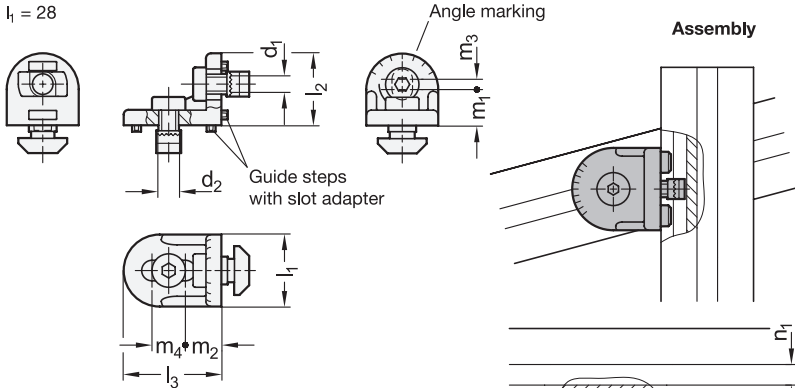
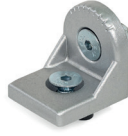
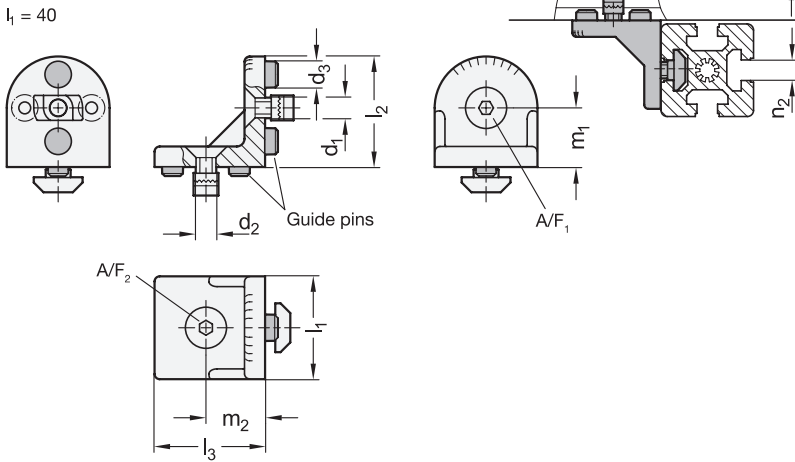


$l_1 = 28$



$l_1 = 40$



4 Type
C With fastening set

1 l_1	2 n_1	3 n_2	d_1	d_2	d_3	l_2	l_3	m_1	m_2	m_3	m_4	A/F_1	A/F_2	Grid size
28	10	10	M 8	M 8	-	28	38	14,5	14,5	3,5	13	5	5	40 / 45
40	10	10	M 8	M 8	10	42,5	42,5	22,5	22,5	-	-	5	5	45

Specification

Housing

Aluminum
Painted, white aluminum **AW**

Fastening set

Screws and T-slot nuts
Steel
zinc plated, blue passivated **SZ**

Slot adapter for $l_1 = 28$

Plastic

Guide pin for $l_1 = 40$

Plastic

RoHS

Rotating angle brackets GN 41b connect two crossed aluminum profiles at an any angle. Machining of the profile is not necessary.

Depending on the installation situation for the rotating angle bracket, it may be necessary to break off the guide steps or leave out the guide pins.

see also...

GN 10b Aluminum Profiles (Profile Type Light) **Page** QVX

GN 10b Aluminum Profiles (Profile Type Heavy) **Page** QVX

How to order

1	l_1
2	n_1
3	n_2
4	Type
5	Housing finish
6	Material/finish Fastening set

GN 41b-401010-C-AWSZ

3.1
3.2
3.3
3.4
3.5
3.6
3.7
3.8
3.9
3.10