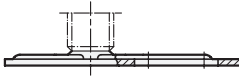


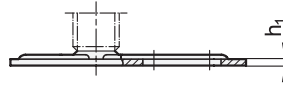
**4 Type (Base)**

- E0** Without rubber pad, with one slotted hole
- E3** With rubber pad, vulcanized, black, with one slotted hole
- G0** Without rubber pad, with 2 slotted holes
- G3** With rubber pad, vulcanized, black, with 2 slotted holes

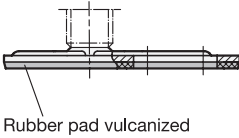
Type E0



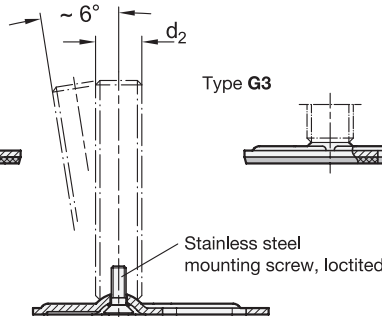
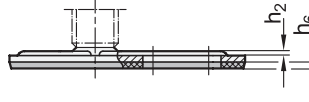
Type G0



Type E3



Type G3



**1** **2** **3**

**3**

d <sub>1</sub>	d <sub>2</sub>	l <sub>1</sub>							l <sub>7</sub>	d <sub>3</sub>	d <sub>4</sub>	h <sub>1</sub>	h <sub>2</sub>	h <sub>6</sub>	l <sub>8</sub>	m <sub>1</sub>	m <sub>2</sub>	m <sub>3</sub>	r			
		Version S / SK			Version U / UK															Vers. X		
80	M 8	40	50	63	-	-	-	-	26	13	10,5	3	1,3	3	70	27	26	50	15			
80	M 10	50	60	80	100	-	-	-	29	13	10,5	3	1,3	3	70	27	26	50	15			
80	M 12	60	80	100	125	-	-	-	32	13	10,5	3	1,3	3	70	27	26	50	15			
80	M 16	-	-	-	-	75	100	125	150	200	250	38	13	10,5	3	1,3	3	70	27	26	50	15
80	M 20	-	-	-	-	75	100	125	150	200	250	45	13	10,5	3	1,3	3	70	27	26	50	15
80	M 24	-	-	-	-	100	125	150	200	300	-	13	10,5	3	1,3	3	70	27	26	50	15	

**Versions of threaded stem**

<p><b>S</b> Without nut <b>SK</b> With nut</p>	<p><b>U</b> Without nut <b>UK</b> With nut</p>	<p><b>X</b> With internal thread</p>
<p>External hex at the bottom at <math>d_2</math> M 8, M 10, M 12</p>	<p>Hex socket at the top and wrench flat at the bottom at <math>d_2</math> M 16, M 20, M 24</p>	<p>External hex with internal thread at <math>d_2</math> M 8, M 10, M 12, M 16, M 20</p>

$d_1$	$d_2$	$h_3$	$h_4$	A/F <sub>1</sub>	A/F <sub>2</sub>	A/F <sub>3</sub>	A/F <sub>7</sub>	t
80	M 8	12	-	17	-	-	14	8
80	M 10	12	-	17	-	-	14	10
80	M 12	12	-	17	-	-	17	12
80	M 16	-	18	-	12	8	22	16
80	M 20	-	19	-	15	10	27	20
80	M 24	-	22	-	19	12	-	-

**Specification**

- Base plate  
Steel  
Zinc plated, blue passivated
- Threaded stem  
Steel  
Zinc plated, blue passivated
- Hex nut ISO 4032  
Steel  
Zinc plated, blue passivated
- Rubber pad  
- Vulcanized  
- Black, NBR (Perbunan®)  
70 ±5 Shore A
- Load Rating Information → Page 2144
- Elastomer Characteristics → Page 2158
- RoHS

**Information**

- Leveling feet GN 42 can be used in a host of combinations of base plates and adjustable spindle versions.
- The leveling feet can be screwed to the mounting surface use the fixing lug, which prevents lateral shifting. Moreover, the types with the rubber pad protect sensitive surfaces.
- The leveling feet are supplied fully assembled and are not removable.
- see also...
- Leveling Feet GN 40 (Steel, without Fixing Lug) → Page 1460
  - Leveling Feet GN 42 (Steel, with Fixing Lug, Drop Shape) → Page 1466
  - Leveling Feet GN 41 (Stainless Steel, without Fixing Lug) → Page 1462
  - Leveling Feet GN 43 (Stainless Steel, with Fixing Lug) → Page 1472
  - Leveling Feet GN 44 / GN 45 (Stainless Steel, without / with Fixing Lug) → Page 1464 / 1474
  - Insert Bushings GN 448 (Plastic, for Tubes) → Page 1498 / 1499
  - Insert Bushings GN 992 / GN 992.5 (Aluminum / Stainless Steel, for Tubes) → Page 1501

How to order		1	$d_1$
		2	$d_2$
		3	$l_1$ ( $l_7$ )
		4	Type (Base)
		5	Version (Screw)
<b>GN 42-80-M8-63-E3-SK</b>			

3.1  
3.2  
3.3  
3.4  
3.5  
3.6  
3.7  
3.8  
3.9

