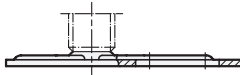


EDDELSTAHL® Rostfrei
Inox
Stainless Steel

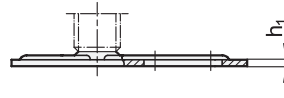
4 Type (Base)

- E0** Without rubber pad, with one slotted hole
- E3** With rubber pad, vulcanized, black, with one slotted hole
- G0** Without rubber pad, with 2 slotted holes
- G3** With rubber pad, vulcanized, black, with 2 slotted holes

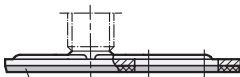
Type E0



Type G0

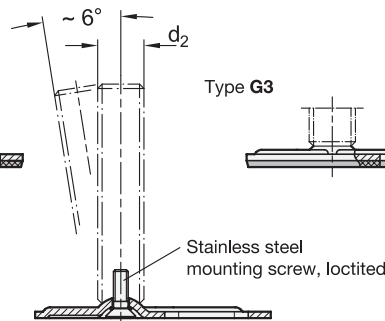
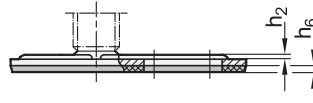


Type E3



Rubber pad vulcanized

Type G3



d ₁	d ₂	1			3										3			r				
		Version S / SK			Version T / TK and U / UK										Version W				l ₇ Vers. X	l ₈		
80	M 8	40	50	63	-	-	-	-	-	-	-	-	-	-	-	-	-	-	26	70	15	
80	M 10	50	60	80	100	-	-	-	-	-	-	-	-	-	-	-	-	-	29	70	15	
80	M 12	60	80	100	125	-	-	-	-	-	-	-	-	-	-	-	-	-	32	70	15	
80	M 16	-	-	-	-	75	100	125	150	200	250	75	100	125	150	110	135	160	185	38	70	15
80	M 20	-	-	-	-	75	100	125	150	200	250	-	-	-	-	-	-	-	-	45	70	15
80	M 24	-	-	-	-	100	125	150	200	300	-	-	-	-	-	-	-	-	-	70	15	

Specification

- Base plate plain, ground
Stainless steel AISI 304
- Threaded stem
Stainless steel AISI 303
- Hex nut ISO 4032
Stainless steel
- Rubber pad, vulcanized
Black, NBR (Perbunan®)
70 ±5 Shore A
- Load Rating Information → Page 2145
- Plastic Characteristics → Page 2158
- Stainless Steel Characteristics
→ Page 2166
- RoHS

Versions of threaded stem

<p>S Without nut SK With nut</p>	<p>T Without nut TK With nut</p>	<p>U Without nut UK With nut</p>
<p>External hex at the bottom at d_2 M 8, M 10, M 12</p>	<p>Wrench flat at the bottom at d_2 M 16, M 20, M 24</p>	<p>Hex socket at the top and wrench flat at the bottom at d_2 M 16, M 20, M 24</p>

<p>V Without nut VK With nut</p>	<p>W With adjustable sleeve</p>	<p>X With internal thread</p>
<p>External hex at the top and wrench flat at the bottom at d_2 M 16</p>	<p>Covered thread and wrench flat at the bottom at d_2 M 16</p>	<p>External hex with internal thread at d_2 M 8, M 10, M 12, M 16, M 20</p>

d_1	d_2	d_3	d_4	d_5	h_1	h_2	h_3	h_4	h_5	h_6	l_4	l_5	l_6	m_1	m_2	m_3	A/F ₁	A/F ₂	A/F ₃	A/F ₄	A/F ₅	A/F ₆	A/F ₇	t
80	M 8	13	10,5	-	3	1,3	12	-	-	3	-	-	-	27	26	50	17	-	-	-	-	-	14	8
80	M 10	13	10,5	-	3	1,3	12	-	-	3	-	-	-	27	26	50	17	-	-	-	-	-	14	10
80	M 12	13	10,5	-	3	1,3	12	-	-	3	-	-	-	27	26	50	17	-	-	-	-	-	17	12
80	M 16	13	10,5	24	3	1,3	-	18	15	3	45	45	29	27	26	50	-	12	8	10	12	20	22	16
80	M 20	13	10,5	-	3	1,3	-	19	-	3	-	-	-	27	26	50	-	15	10	-	-	-	27	20
80	M 24	13	10,5	-	3	1,3	-	22	-	3	-	-	-	27	26	50	-	19	12	-	-	-	-	-

Information

Leveling feet GN 43 are for use in aggressive environments. The range of combinations of base plates and adjustable spindle versions allows these leveling feet to be used in every situation.

The leveling feet can be screwed to the mounting surface use the fixing lug, which prevents lateral shifting. Moreover, the types with the rubber pad protect sensitive surfaces.

The leveling feet are supplied fully assembled and are not removable.

see also...

- *Leveling Feet GN 40 (Steel, without Fixing Lug)* → Page 1460
- *Leveling Feet GN 42 (Steel, with Fixing Lug)* → Page 1466 / 1468
- *Leveling Feet GN 41 (Stainless Steel, without Fixing Lug)* → Page 1462
- *Leveling Feet GN 43 (Stainless Steel, with Fixing Lug, Drop Shape)* → Page 1470
- *Leveling Feet GN 44 / GN 45 (Stainless Steel, without / with Fixing Lug)* → Page 1464 / 1474
- *Insert Bushings GN 448 (Plastic, for Tubes)* → Page 1498 / 1499
- *Insert Bushings GN 992 / GN 992.5 (Aluminum / Stainless Steel, for Tubes)* → Page 1501

How to order		1	d_1
		2	d_2
		3	l_1 (l_2, l_3, l_7)
		4	Type (Base)
		5	Version (Screw)

GN 43-80-M16-100-G3-UK

