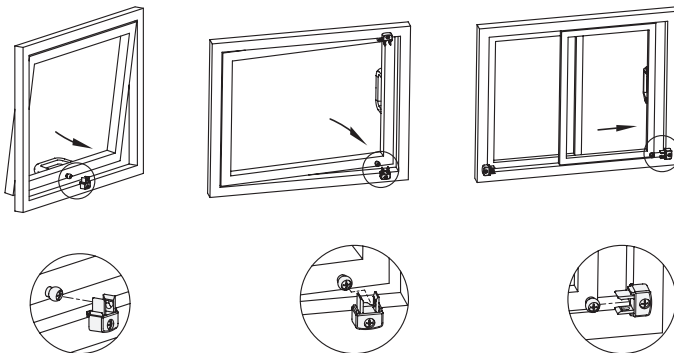


**Examples of application**



1

2

b	d Ball-Ø	s <sub>1</sub>		s <sub>2</sub>		Holding force in N
		min.	max.	min.	max.	
28	14	17,8	19,3	7,9	9,9	30

**Specification**

- **Clamp**  
Plastic (Polyacetal POM)  
- Temperature resistant up to 60 °C  
- Black, matte finish
- **Ball**  
Plastic (Polyamide PA)  
- Glass fiber reinforced  
- Temperature resistant up to 60 °C  
- Black, matte finish
- *Plastic Characteristics* → Page 2158

• **RoHS**

**Accessory**

- Spacer GN 450.1

**Information**

The ball-shaped door locks GN 450 have been conceived for the use with both shutter doors and sliding doors.

The ball-shaped door lock consists of a clamp to be fixed to a frame and a ball to be fixed to a door.

Under specific tests, the clamp showed constant performances for more than 20.000 cycles.

see also...

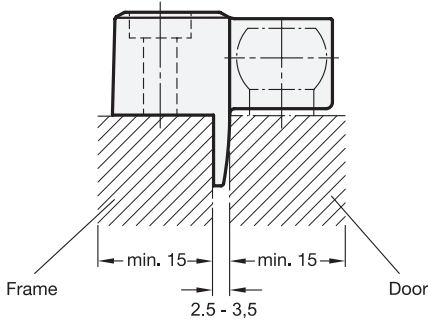
- *Spring-Bolt Door Latches GN 449* → Page 1256

How to order

**GN 450-28-14**

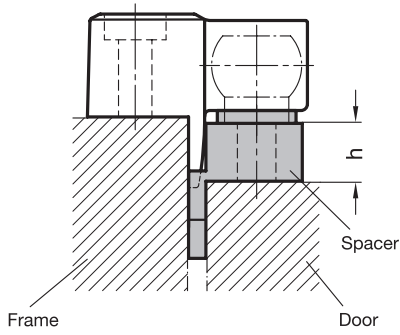
1 b

2 d



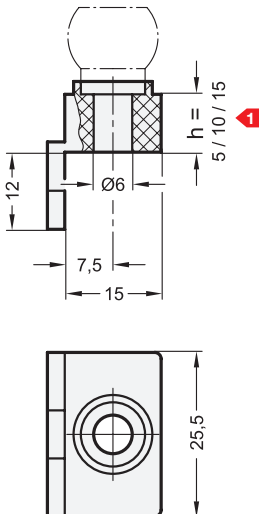
### Assembly instructions

The minimum thickness for the profile suitable for use is 15 mm, while the distance between door and frame must be within 2.5 mm and 3.5 mm.



For applications with differences in height between frame and door, spacers GN 450.1 with height  $h = 5, 10$  and  $15$  mm are available.

## GN 450.1 | Spacers



### Specification

- Plastic (Polyamide PA)  
Black, matte finish

### Information

The combination with spacers can realise the distances  $h = 20, 25$  and  $30$  mm.

How to order	1	h
<b>GN 450.1-10</b>	1	h

3.1  
3.2  
3.3  
3.4  
3.5  
3.6  
3.7  
3.8  
3.9