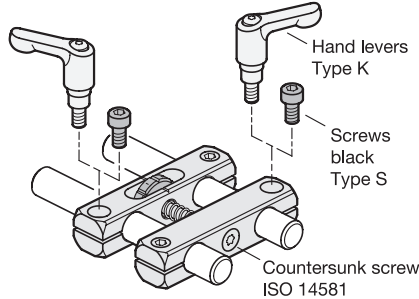
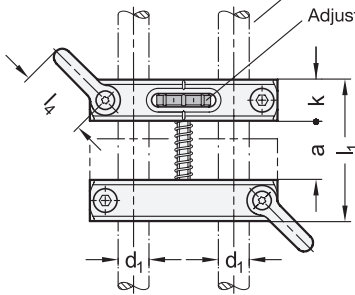


Retaining rods / Retaining tubes GN 480.1

Adjusting wheel with thrust washer



**2** Type

- K** With two hand levers and two socket cap screws
- S** With four socket cap screws

**1**

$d_1$ Bore for shaft tol. h11	$a$ Stroke max.	$d_2$	$d_3$	$d_4$	$h$	$k$	$l_1$ max.	$l_2$	$l_3$	$l_4$	$m$
B 8	12	19	M 4	M 4	23,5	14	40	59	13,5	22	32
B 12	18	21	M 5	M 5	32	16	50	73	17	30	39
B 16	24	26	M 6	M 6	35	20	64	91	20,5	45	50

**Specification**

- Mounting clamp  
Aluminum
- Matte, ground
- Anodized, black
- Adjustable hand levers (Type K)
  - Zinc die casting
  - Powder coated silver, RAL 9006, textured finish
  - Threaded insert and retaining screw
  - Stainless steel AISI 303
- Adjusting wheel  
Stainless steel AISI 303
- Thrust washer  
Plastic
- Socket cap screws ISO 4762  
Stainless steel AISI 304
  - 2x chemically blackened (Type S)
  - 2x plain finish (Type K / Type S)
- Countersunk screw ISO 14581  
Stainless steel AISI 304
- Spring  
Spring steel AISI 301
- *Stainless Steel Characteristics* → Page QVX
- RoHS

**3**

**Information**

Parallel mounting clamps with adjustable spindle GN 474.3 are used for adjusting measuring or test setups.

For coarse adjustments in millimeters, two adjacent clamping points are released so that the rod can be shifted quickly. When using retaining rods / retaining tubes GN 480.1 in type LS with longitudinal scale, their scale provides orientation during presetting.

For fine adjustments, two diagonally opposite clamping points are released. The relative position of the retaining rods/retaining tubes can then be set with the adjusting wheel. The adjusting distance can be read in 0.1 mm increments based on the knurled graduations. Due to the integrated spring, the adjustment is free of backlash.

see also...

- *Clamping kits GN 511* → Page 1805
- *Two-Way Mounting Clamps GN 474* → Page 1791
- *Parallel Mounting Clamps GN 474.1* → Page 1794
- *T-Mounting Clamps GN 476* → Page 1793
- *Mounting Clamps GN 477* → Page 1790
- *Swivel Ball Joint Mounting Clamps GN 487* → Page QVX
- *Retaining Rods / Retaining Tubes GN 480.1* → Page 1833

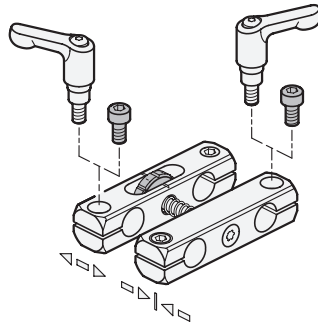
How to order

**GN 474.3-B12-K-ELS**

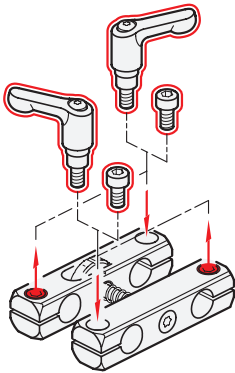
<b>1</b>	$d_1$
<b>2</b>	Type
<b>3</b>	Finish

### Assembly variants

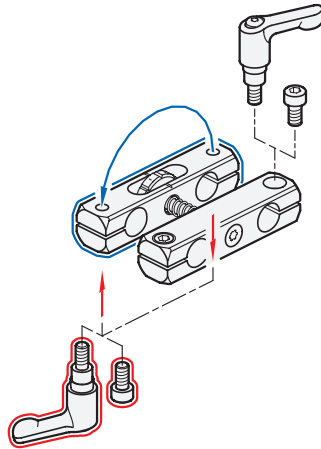
As delivered



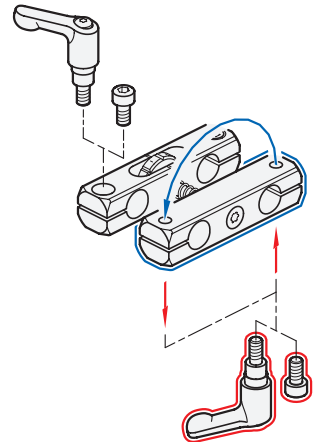
Clamping points inverted



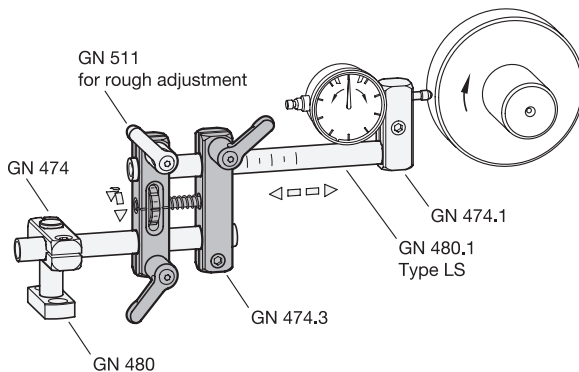
Movable mounting clamp, angular and clamping point inverted



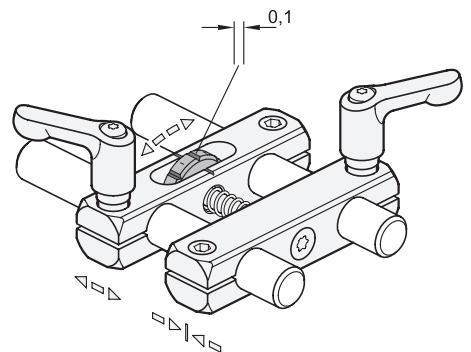
Fixed mounting clamp, angular and clamping point inverted



### Application example



### Adjustment



Line scaling on adjusting wheel for adjustment in 1/10 mm increments