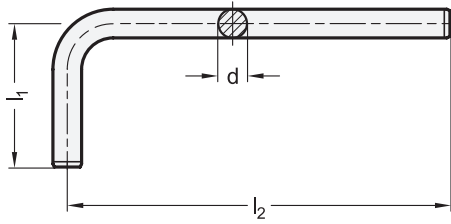
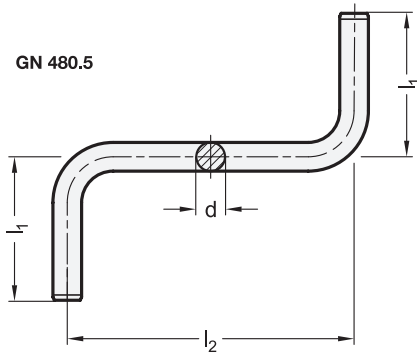


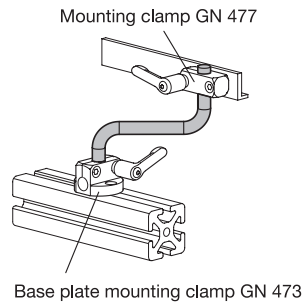
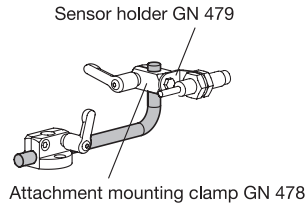
GN 480.3



GN 480.5



Application examples



1	2	3
GN 480.3		
d	l ₁	l ₂
Diameter		
D 8	30	90
D 8	50	150
D 8	80	240
D 10	50	150
D 10	70	210
D 10	100	300

1	2	3
GN 480.5		
d	l ₁	l ₂
Diameter		
D 8	30	60
D 8	50	100
D 8	80	160
D 10	50	100
D 10	70	140
D 10	100	200

Specification

- Stainless steel AISI 304 **NI**
- Plain
- Stainless Steel Characteristics → Page 2166
- RoHS

On request

- Other dimensions for l₁ and l₂

Information

The dimensions of stainless steel retaining rods GN 480.3 and GN 480.5 are tailored for use with mounting clamps.

The cranked / angled stainless steel retaining rods make it possible to create compact and space-saving mounting clamp structures efficiently and cost-effectively with few components.

see also...

- Retaining Tubes / Retaining Rods GN 480.1 → Page 1833

How to order (Angled)	1	d
	2	l ₁
	3	l ₂
GN 480.3-D10-50-150-NI	4	Material

How to order (Cranked)	1	d
	2	l ₁
	3	l ₂
GN 480.5-D8-80-160-NI	4	Material