

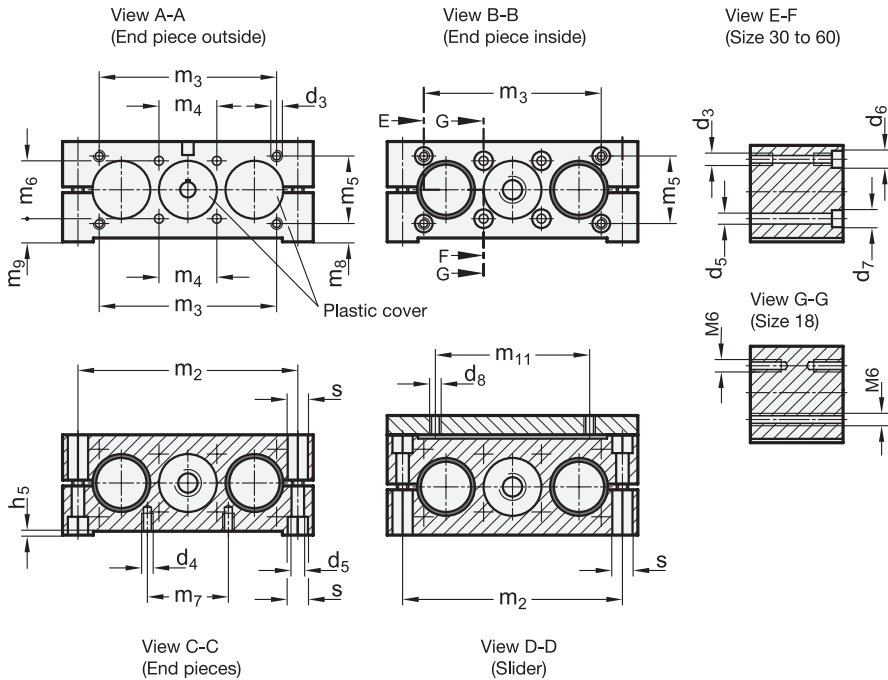
- 3 Type**
- R1** Right hand thread, shaft journal at one end
 - R2*** Right hand thread, shaft journal at both ends
 - L1*** Left hand thread, shaft journal at one end
 - L2*** Left hand thread, shaft journal at both ends

d₁	l₁ Travel (Adjustable stroke of the slider) Standard length					Max. stroke	Shaft thread	b	d₂	d₃**	d₄***	d₅	d₆	For screw DIN 912
18	100	150	200	300	400		TR10x3	28	6	-	M 5	5,3	-	-
30	100	150	200	300	1500		TR14x4	50	8	M 6	M 6	6,5	10	M 5
40	100	150	200	300	2500		TR20x4	60	12	M 8	M 8	8,5	13,5	M 6
50	100	150	200	300	2630		TR20x4	72	12	M 10	M 8	8,5	15	M 8
60	400	500	600	-	2580		TR25x5	80	14	M 10	M 10	10,5	13,5	M 8

d₁	d₇	For screw DIN 912	d₈	h₁	h₂	h₃	h₄	h₅	h₆	l₂ Total length	l₃	l₄	l₅	m₁	m₂	m₃	m₄
18	-	-	M 5	28	37	1	14,5	0,75	8	2xb+l ₅ +l ₁	81	16	81	b+l ₅ +l ₁	68	-	20
30	11	M 6	M 6	52	64	2	27	0,85	10	2xb+l ₅ +l ₁	130	16	130	b+l ₅ +l ₁	114	92	30
40	13,5	M 8	M 8	60	76	3	31,5	1,05	13	2xb+l ₅ +l ₁	180	17	180	b+l ₅ +l ₁	160	132	39
50	15	M 8	M 8	72	92	4	38	1,2	16	2xb+l ₅ +l ₁	206	18	206	b+l ₅ +l ₁	184	150	46
60	16,5	M 10	M 10	86	106	4	45	1,35	16	2xb+l ₅ +l ₁	240	19	240	b+l ₅ +l ₁	216	185	55

d₁	m₅	m₆	m₇	m₈	m₉	m₁₀	m₁₁	s Hex	Parallel key DIN 6885	Installation kit	Position indicator	Handwheel	
18	-	20	18	-	4,5	68	52	8	A2x2x12	GN 491.1	GN 955	-	GN 9234
30	35	30	42	9,5	12	114	80	10	A2x2x12	GN 491.1	GN 954	GN 9054	GN 9234
40	38	39	62	12,5	12	160	120	13	A4x4x12	GN 491.1	GN 953	GN 9053	GN 9234
50	50	46	62	13	15	184	134	13	A4x4x12	GN 491.1	GN 953	GN 9053	GN 9234
60	60	55	74	14	16,5	216	160	17	A5x5x16	GN 491.1	GN 953	GN 9053	GN 9234

*** usable depth of thread min. 1,5 x d₄ ** usable depth of thread from both sides min. 2 x d₃ * usually not available from stock



Specification

- Guide tubes DIN 2391
Steel, chrome-plated **SCR**
- End pieces / Slider / Adapter plate
Aluminum
 - Powder coated
Black, RAL 9005, textured finish
 - Fixing surface / mounting surface
machined, plain finish
- Spindle with trapezoidal thread
 - Steel, plain finish
 - With ball-bearing
 - Positioning accuracy $\pm 0,2$ mm/300 mm travel
- Follower nut, gun metal
- Socket cap screws DIN 912
Steel, zinc plated
- Hex nuts DIN 985
Steel, zinc plated
Self-locking with polyamide ring
- RoHS

Accessory

- Installation Kits GN 491.1
(for Position Indicators) → Page 2003

Information

In addition to the standard travel lengths specified in the above table for the double tube linear actuator GN 492 any length inside the maximum length is available.

In order to measure the movement and positioning of the sliders, digital position indicators can be added.

see also...

- *Mounting Facilities of the End Pieces* → Page 2002
- *Technical Information / Load Data* → Page 1994 / 1995
- *Double Tube Linear Actuators GN 491 (with Single Slider)* → Page 1996
- *Handwheels GN 9234 (for Linear Actuators)* → Page XYZ
- *Position Indicators GN 953 / GN 954* → Page 396 / 398
- *Position Indicators GN 9053 / GN 9054* → Page 402 / 404

How to order

1	d ₁
2	l ₁
3	Type
4	Material

GN 492-30-100-R1-SCR