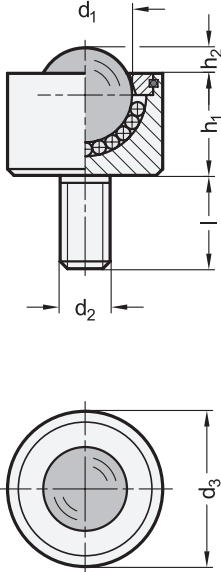
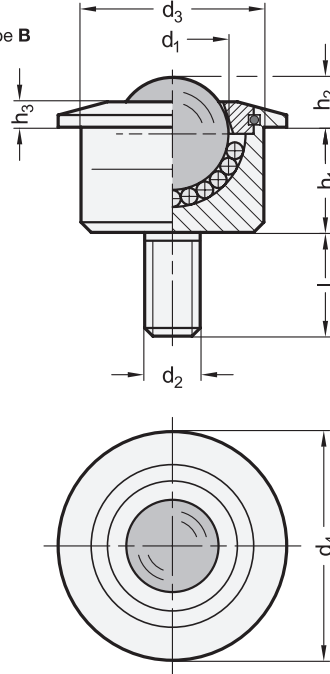


Type A



Type B



**4 Type**

- A** Cylindrical
- B\*** With collar

Size SBL SNI SKU	NNI	d <sub>2</sub>	Length l	d <sub>1</sub> Ball	d <sub>3</sub> ±0,1	d <sub>4</sub>	h <sub>1</sub> ±0,3		h <sub>2</sub> ±0,3		h <sub>3</sub>	Load C in N			
							Type A	Type B	Type A	Type B		SBL	SNI	SKU	NNI
8	-	M 6	15	7,9	18	-	10	-	2	-	-	120	100	30	-
12	12	M 8	15	12,7	22	-	13,7	-	3,8	-	-	250	250	50	200
15	15	M 8	15	15,8	24	31	16	11,5	5	9,5	4,8	600	600	130	400

\* Type B only available in size 15

**Specification**

**Housing**

- Steel, turned **S**
- Zinc plated, blue passivated
- Stainless steel AISI 420C, turned **N**

**Load ball**

- For housing steel **BL**
- Steel, plain finish **NI**
- Stainless steel AISI 420C **KU**
- Plastic, polyacetal (POM)
- For housing stainless steel **NI**
- Stainless steel AISI 420C

**Bearing balls**

- Steel, plain finish for load ball BL / KU
- Stainless steel AISI 420C for load ball NI

**RoHS**

**Technical Information**

	Page
Overview of Types of Ball Transfer Units	QVX
Technical Instructions	QVX
Plastic Characteristics	QVX

Ball transfer units GN 509.5 are used in machine and fixture construction, for example, to move heavy loads in any direction without great effort. The roller bearing of the ball ensures reliable operation and a long service life. The ball transfer units feature a threaded stud on the bottom for fastening. The load is transferred via the housing base for type A and via the housing collar for type B.

**see also...**

	Page
<b>GN 509</b> Ball Transfer Units (Housing Steel Sheet Metal, with Collar)	QVX
<b>GN 509.1</b> Ball Transfer Units (Housing Steel / Stainless Steel, Solid, with Collar)	QVX
<b>GN 509.4</b> Ball Transfer Units (Housing Steel, Solid, without Collar)	QVX
<b>GN 509.6</b> Ball Transfer Units (Housing Steel, Solid, with Internal Thread)	QVX
<b>GN 509.7</b> Ball Transfer Units (Housing Steel, Solid, with Spring Element)	QVX
<b>GN 509.8</b> Ball Transfer Units (Housing Sheet Steel, with Mounting Flange)	QVX
<b>GN 509.10</b> Ball Transfer Units (Housing Stainless Steel, Solid, Friction Bearing)	QVX

**How to order**

<b>1</b> Size	
<b>2</b> Material housing	
<b>3</b> Material load ball	
<b>4</b> Type	
<b>5</b> d <sub>2</sub>	
<b>6</b> Length l	

**GN 509.5-12-NNI-A-M8-15**

3.1  
3.2  
3.3  
3.4  
3.5  
3.6  
3.7  
3.8  
3.9  
3.10