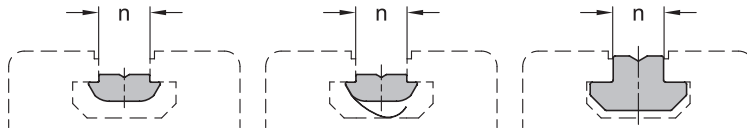


3 Type

- V** With anti-twist protection
- F** With anti-twist protection, with spring
- S** Heavy

Use



1 **2**

Type V								
n	d				b	h ₁	h ₂	Length l
8	M 4	M 5	M 6	M 8	11,6	3,8	1	16
10	M 4	M 5	M 6	M 8	14	3,8	1,5	20

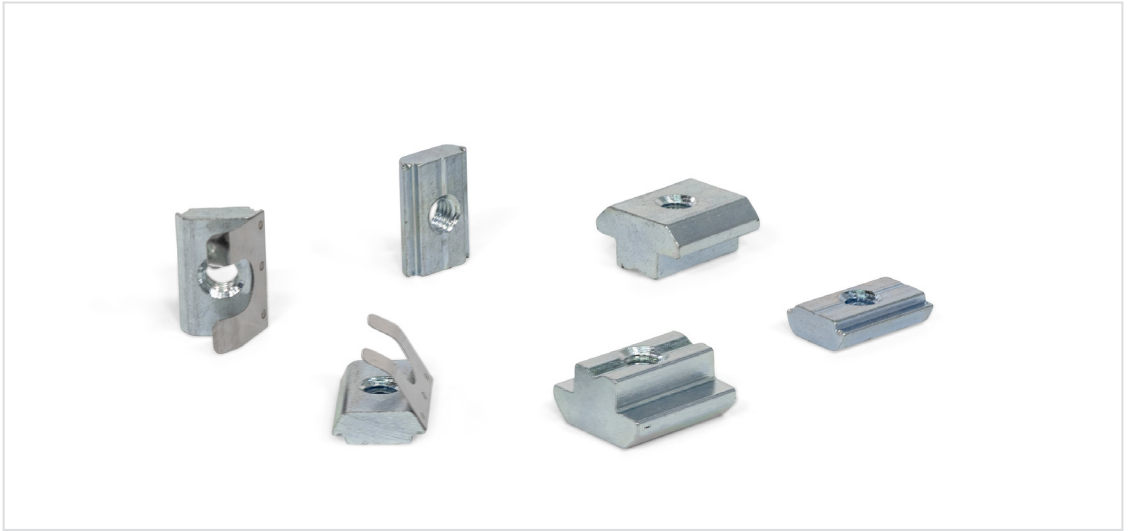
1 **2**

Type F									
n	d				b	h ₁	h ₂	h ₃ ≈	Length l
8	M 4	M 5	M 6	M 8	11,6	3,8	1	8	16
10	M 4	M 5	M 6	M 8	14	3,8	1,5	12	20

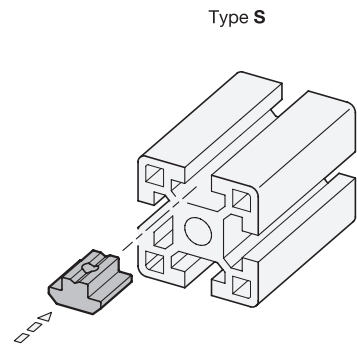
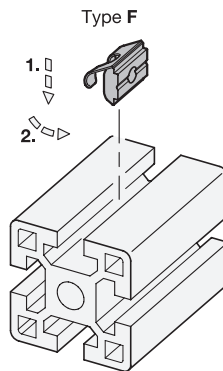
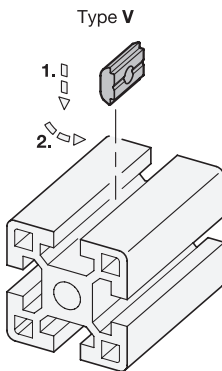
1 **2**

Type S								
n	d				b	h ₁	h ₂	Length l
6	M 4	M 5	M 6	-	9,6	3	1	10
8	M 4	M 5	M 6	M 8	15,8	4	2	16
10	M 4	M 5	M 6	M 8	19,5	5,5	5	20





Assembly Instruction



Specification

- Steel, zinc plated, blue passivated
- RoHS



SZ

Information

T-nuts GN 50b fasten attachments and accessories in the slot of aluminum profiles.

The spring of type F secures the T-nut against unwanted slipping in the groove, making installation easier.

T-nuts of types V and F can be swiveled into the slot at any position.

see also...

- *Aluminum Profiles GN 10b (Profile Type Light)* → Page QVX
- *Aluminum Profiles GN 10b (Profile Type Heavy)* → Page QVX

How to order





GN 50b-10M8-V-SZ

1	n
2	d ₁
3	Type
4	Material / Finish