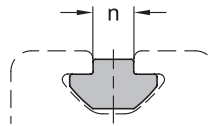
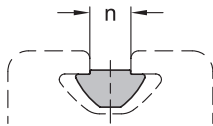
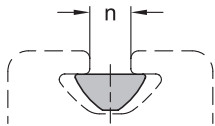


Use



- 3 Type**
- N** Without anti-twist protection
- V** With anti-twist protection
- S** Heavy

3.1

3.2

3.3

3.4

3.5

1 2

Type N													
n	d				Stainless steel				b ≈	h ₁ ≈	h ₂ ≈	Length l	m ≈
	Steel												
5	M 3	M 4	M 5	-	M 4	M 5	-	-	8	4	0,8	11,5	4
6	M 3	M 4	M 5	M 6	-	-	-	-	11	6	0,9	17	5
8	M 4	M 5	M 6	M 8	M 4	M 5	M 6	M 8	14	7	1,6	23	7

3.6

3.7

1 2

Type V														
n	d				Stainless steel				b ≈	h ₁ ≈	h ₂ ≈	h ₃ ≈	Length l	m ≈
	Steel													
5	M 3	M 4	M 5	-	-	-	-	-	8	4	0,8	0,7	11,5	4
6	M 3	M 4	M 5	M 6	-	M 5	M 6	-	11	6	0,9	0,5	17	5
8	M 3	M 4	M 5	M 6	M 8	-	-	-	14	7	1,6	0,8	23	7

3.8

1 2

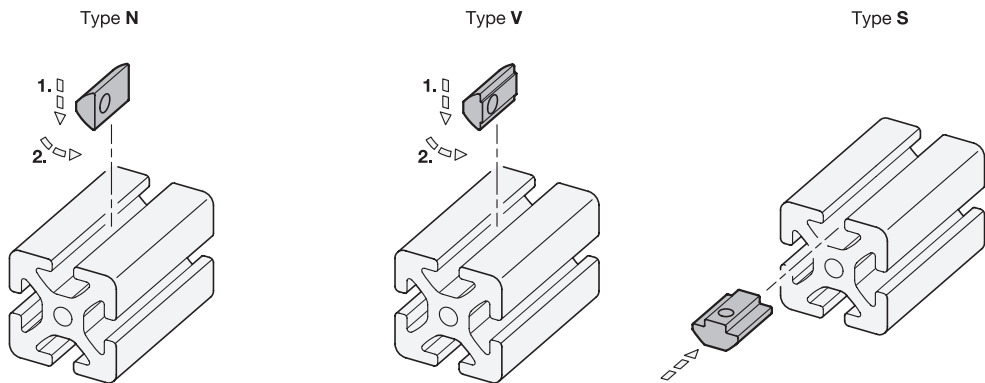
Type S													
n	d				b ≈	h ₁ ≈	h ₂ ≈	h ₃ ≈	Length l	m ≈			
	Steel												
8	M 4	M 5	M 6	M 8	18	7	1,6	2,8	23	7			

3.9





Assembly Instruction



Specification

- Steel, zinc plated, blue passivated
- Stainless steel, plain finish
- RoHS



SZ
NB

Information

T-nuts GN 50i fasten attachments and accessories in the slot of aluminum profiles.

The spring-loaded ball secures the T-nut against unwanted slipping within the slot, making installation easier.

T-nuts of types N and V can be swiveled into the slot at any position.

see also...

- *Aluminum Profiles GN 10i (Profile Type Light)* → Page QVX
- *Aluminum Profiles GN 10i (Profile Type Heavy)* → Page QVX
- *Aluminum Profiles GN 11i (with Partially Closed Slots)* → Page QVX

How to order

GN 50i-8M6-V-SZ

1	n
2	d ₁
3	Type
4	Material / Finish