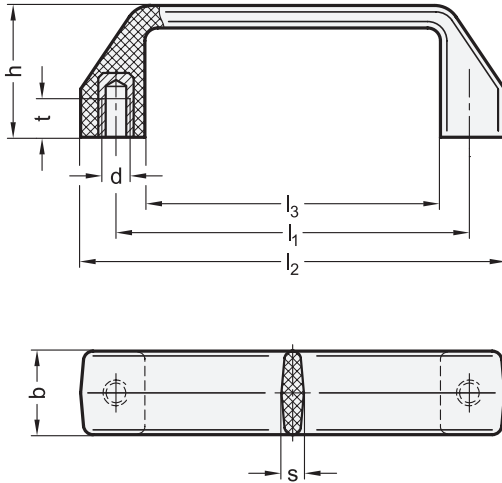
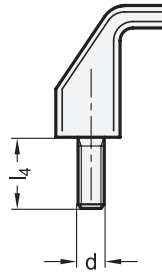


GN 528.1



GN 528.4



**elesa**  
Original design M.543 / M.543-p

l <sub>1</sub>	d	GN 528.1 Material / Color			GN 528.4 Material / Color		b	h	l <sub>2</sub>	l <sub>3</sub>	l <sub>4</sub>	s	t min.
		PA	OR	PP	PA	SW							
94 -1	M 6	SW	OR	-	-	-	21	36	107	79	-	6	10
105 ±0,5	M 5	SW	OR	-	-	-	23	37	120	90	-	7	10
105 ±0,5	M 6	SW	OR	-	-	-	23	37	120	90	-	7	10
117 ±0,5	M 6	SW	OR	SW	OR	SW	25	38	134	102	16	7,5	12
117 ±0,5	M 8	SW	OR	-	-	-	25	38	134	102	-	7,5	12
132 ±0,5	M 8	SW	OR	-	-	-	26	45	150	116	-	8	13
179 ±1	M 8	SW	OR	-	OR	SW	28	51	200	160	16	9	13
179 ±1	M 10	SW	OR	-	-	-	28	51	200	160	-	9	13

**Specification**

**Handle**

- Plastic, Polyamide
- Glass fiber reinforced
- Operating temperature -30 °C to 130 °C
- Black, RAL 9005, matte finish ● **SW**
- Orange, RAL 2004, matte finish ● **OR**
- Plastic, Polypropylen
- Glass fiber reinforced
- Operating temperature 0 °C bis +100 °C
- Black, RAL 9005, matte finish ● **SW**

**PA**

**PP**

**GN 528.1**

**Threaded bushings**

Brass

**GN 528.4**

**Threaded studs**

Steel, zinc plated

RoHS

Cabinet U-handles GN 528.1 type PP (Polypropylene) may offer less favorable mechanical and thermal properties compared with PA (Polyamide), but they are less expensive and sufficient for many applications.

see also...

	Page
<b>GN 528</b> Cabinet U-Handles (Plastic, Mounting from the Operator's Side)	QVX
<b>GN 728</b> Cabinet U-Handles (Aluminum, Mounting from the Back or the Operator's Side)	QVX
<b>GN 728.5</b> Cabinet U-Handles (Stainless Steel, Mounting from the Back or the Operator's Side)	QVX

**Technical Information**

Strength Properties	QVX
Plastic Characteristics	QVX

How to order (with threaded bushings)

1 2 3 4  
**GN 528.1-PP-132-M8-SW**

1 Material

2 l<sub>1</sub>

3 d

4 Color

How to order (with threaded studs)

1 2 3 4  
**GN 528.4-PA-117-M6-SW**

1 Material

2 l<sub>1</sub>

3 d

4 Color