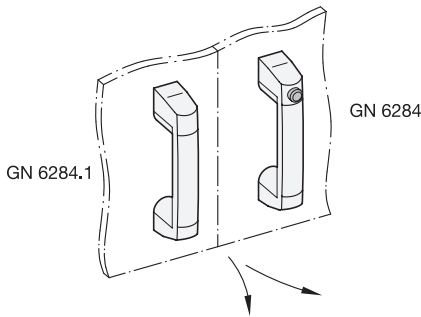


Application example



² l ₁ ±1	³ d	b	h ₁	h ₂	l ₂	l ₃	l ₄	t
180	M 6	35	65	24	212,5	113	20	12

Specification

- Plastic **PA**
- Polyamide
- Glass fiber reinforced
- Self-extinguishing, UL-94 V0
- Temperature resistant up to 120 °C
- Black, matte finish **● SW**
- Threaded bushings
- Brass
- *Plastic Characteristics* → Page QVX
- **RoHS**

Information

Cabinet U-handles GN 6284.1 are designed as a complementary handle for cabinet U-handles GN 6284 with electrical switching function.

see also...

- *Cabinet U-Handles GN 6284 (with Electrical Switching Function)* → Page QVX

How to order

¹	Material
²	l ₁
³	d
⁴	Color

GN 6284.1-PA-180-M6-SW

