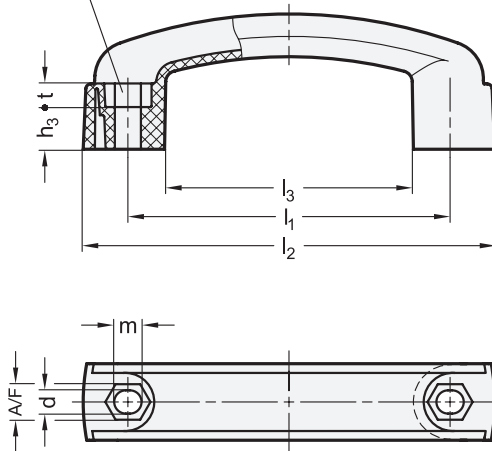


Bore for hex head screw
DIN 931 / ISO 4014



1.1

1.2

1.3

1.4

2

3

l ₁		d	b	h ₁	h ₂	h ₃	l ₂	l ₃	m	A/F	t
Nominal size	Actual size										
117	118,5 ±1	6,5	28	49,5	15,5	17,5	153	93	8	10	6,5
117	118,5 ±1	8,5	28	49,5	15,5	15,5	153	93	10	13	8,5

2.1

Specification

1

4

- Plastic Technopolymer (Polyamide) **PA**
- Glass fiber reinforced
- Temperature resistant up to 130 °C
- Black-gray, matte finish similar to RAL 7021 **● SG**
- Strength Properties → Page QVX
- Plastic Characteristics → Page QVX
- RoHS

Information

The design of the cabinet U-handles GN 629.1 is based on the Ergostyle® product family.

A typical field of application for these U-handles is doors of protective enclosures on machines and fixtures.

see also...

- Product Family Standard Parts for Profile Systems → Page QVX
- Cabinet U-Handles GN 528 (Plastic) → Page QVX
- Cabinet U-Handles GN 628 (Plastic) → Page QVX
- Cabinet U-Handles GN 565.1 (Aluminum) → Page QVX
- Assembly Sets for Profile Systems 30 / 40 GN 965 → Page QVX
- Assembly Sets for Profile Systems 30 / 40 / 45 GN 968 → Page QVX

2.2

2.3

2.4

How to order

1	Material
2	l ₁ (Nominal size)
3	d
4	Color

GN 629.1-PA-117-6,5-SG

1

2

3

4

