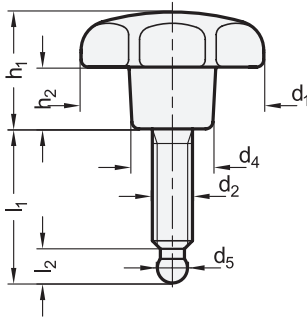
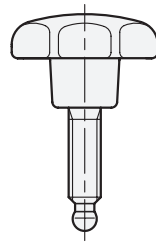


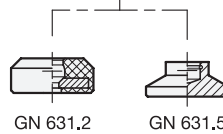
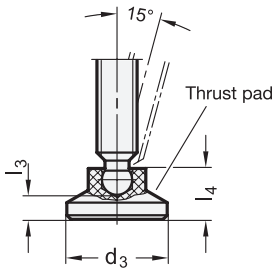
GN 6336.11



Mounting example



GN 6336.12



d ₁	d ₂	l ₁			d ₃	d ₄	d ₅ +0,05	h ₁	h ₂	l ₂	l ₃	l ₄	
32	M 6	25	35	45	-	15	14	4,5	20	10	5,1	3,6	7,6
40	M 8	30	40	50	60	18	18	6,1	25	13	6,2	4,2	9,2
40	M 8	30	40	50	60	21	18	6,1	25	13	6,2	5	10
40	M 8	30	40	50	60	25	18	6,1	25	13	6,2	5,5	10,5
40	M 8	30	40	50	60	32	18	6,1	25	13	6,2	6	11
40	M 8	30	40	50	60	40	18	6,1	25	13	6,2	8	13
50	M 10	35	45	55	65	21	22	7,8	32	17	7,3	4,3	10
50	M 10	35	45	55	65	25	22	7,8	32	17	7,3	4,6	10,5
50	M 10	35	45	55	65	32	22	7,8	32	17	7,3	5	11
50	M 10	35	45	55	65	40	22	7,8	32	17	7,3	7	13
63	M 12	40	60	80	-	25	26	9,4	40	21	8,3	3,6	10,5
63	M 12	40	60	80	-	32	26	9,4	40	21	8,3	4,2	11
63	M 12	40	60	80	-	40	26	9,4	40	21	8,3	6,2	13
63	M 12	40	60	80	-	50	26	9,4	40	21	8,3	8,7	15,5

Specification

Knob

Plastic, Polyamide (PA)
Black, matte finish

Threaded stud

Stainless steel AISI 304Cu

GN 6336.12

Thrust pad GN 631

Plastic, Polyacetal (POM)
• Operating temperature up to 80 °C
• Black, matte finish

RoHS

Technical Information

Page

Plastic Characteristics QVX

Stainless Steel Characteristics QVX

Accessory

GN 631.2 Thrust Pads (NBR) QVX

GN 631.5 Thrust Pads (Stainless Steel) QVX

Star knobs GN 6336.11 / GN 6336.12 have a ball pin whose diameter is smaller than the core diameter of the thread.

The movable thrust pad is easily clipped on and taken off.

The thrust pads are supplied unmounted.

see also...

Page

GN 421.12 Knurled Screws (with movable thrust pad) QVX

GN 6336.11 | GN 6336.12 Star Knobs (with Loss protections GN 111.7) QVX

How to order (with ball pin)

GN 6336.11-40-M8-35

1	d ₁
2	d ₂
3	l ₁

How to order (with movable thrust pad)

GN 6336.12-50-M10-45-25

1	d ₁
2	d ₂
3	l ₁
4	d ₃

1.1
1.2
1.3
1.4
2.1
2.2
2.3
2.4

