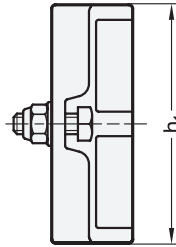
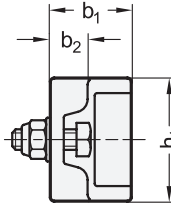
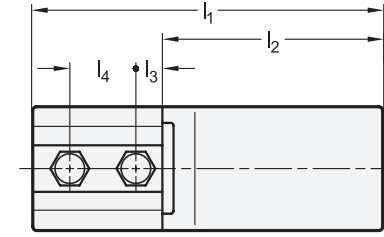


Identification no. 1

Identification no. 2



elesa

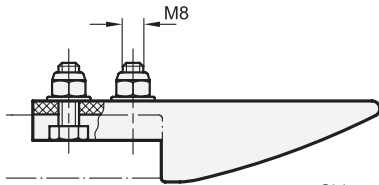
Original design PGL-1 / PGL-2



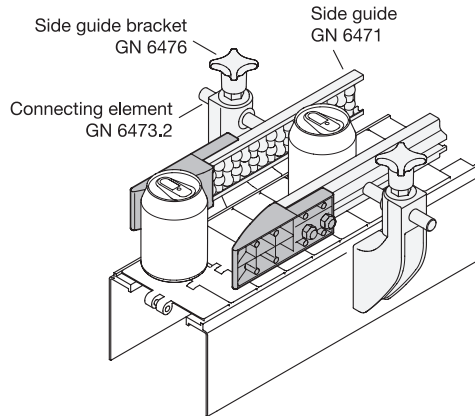
Inox  
Stainless  
Steel

1 Identification no.

- 1 Single row
- 2 Double row



Application example



l <sub>1</sub>	b <sub>1</sub>	b <sub>2</sub>	h <sub>1</sub>		l <sub>2</sub>	l <sub>3</sub>	l <sub>4</sub>
			Id. no. 1	Id. no. 2			
135	31,5	15,3	47,5	93	85	11	25

Specification

Guide

- Plastic, Polyethylene
- Operating temperature -20 °C to 90 °C
- Gray

PE

GR

Hex head screws / nuts

Stainless steel AISI 304

RoHS

Lead-in guides GN 6471.1 extend side guides GN 6471 and ensure a smooth material flow. They are mounted on the end face by sliding into the T-slot of the side guide using the supplied nuts.

see also...

	Page
GN 6471 Side Guides	QVX
GN 6476 Side Guide Brackets	QVX
GN 6473.2 Connecting Elements	QVX

Technical Information

Plastic Characteristics	QVX
Stainless Steel Characteristics	QVX

How to order

1	Identification no.
2	l <sub>1</sub>
3	Material
4	Color

GN 6471.1-1-135-PE-GR

3.1  
3.2  
3.3  
3.4  
3.5  
3.6  
3.7  
3.8  
3.9  
3.10