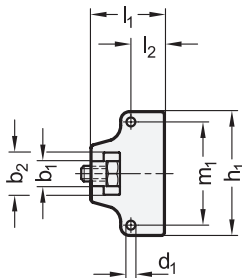
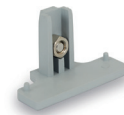
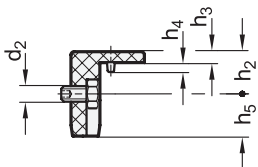
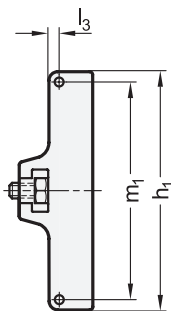


Identification no. 1



Identification no. 2



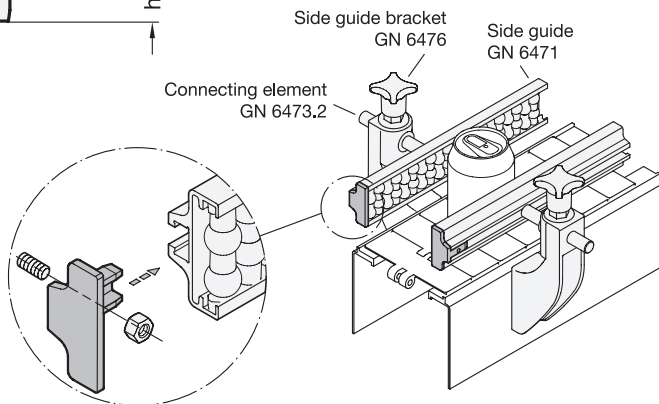
elesa
Original design TGL



1 Identification no.

- 1 Single row
- 2 Double row

Application example



l₁	b₁	b₂	d₁	d₂	h₁	h₂	h₃	h₄	h₅	l₂	l₃	m₁		
					Id. no. 1	Id. no. 2						Id. no. 1	Id. no. 2	
24	8	13,5	2,5	M 5	47,5	93	13,5	3,5	3	13,5	12	3,2	40,9	86

Specification

End cap

Plastic, polyamide

PA

- Operating temperature -30 °C to +100 °C
- Gray



Grub screw / nut

Stainless steel AISI 304

RoHS

End caps GN 6471.2 extend side guides GN 6471. They ensure an attractive appearance and protect against injuries or damage to the conveyed goods. They are mounted on the end face by sliding into the T-slot of the side guide using the supplied grub screw.

see also...

	Page
GN 6471 Side Guides	QVX
GN 6476 Side Guide Brackets	QVX
GN 6473.2 Connecting Elements	QVX

Technical Information

Plastic Characteristics	QVX
Stainless Steel Characteristics	QVX

How to order

1 Identification no.	
2 l ₁	
3 Material	
4 Color	

GN 6471.2-2-24-PA-GR

3.1
3.2
3.3
3.4
3.5
3.6
3.7
3.8
3.9
3.10