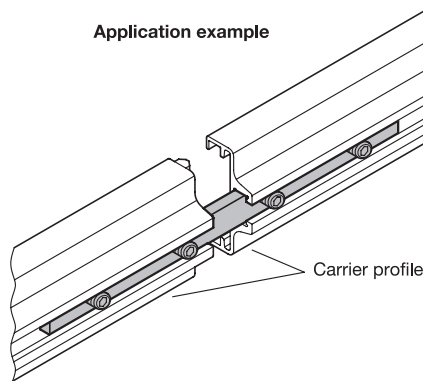


elesa
Original design BDG-SST

Rost frei
Inox
Stainless
Steel

Application example



1 b	2 l ₁	l ₂	l ₃	t
12	180	22,5	45	5

Specification

Stainless steel AISI 304

RoHS

3

NI

Connecting strips GN 6471.3 are used to extend or connect side guides GN 6471 and GN 6472. They are mounted on the end face by sliding into the T-slots of the side guide to be connected using the supplied grub screws.

see also...

	Page
GN 6471 Side Guides	QVX
GN 6472 Side Guides	QVX

Technical Information

Stainless Steel Characteristics	QVX
---------------------------------	-----

How to order

GN 6471.3-12-180-NI

1	b
2	l ₁
3	Material