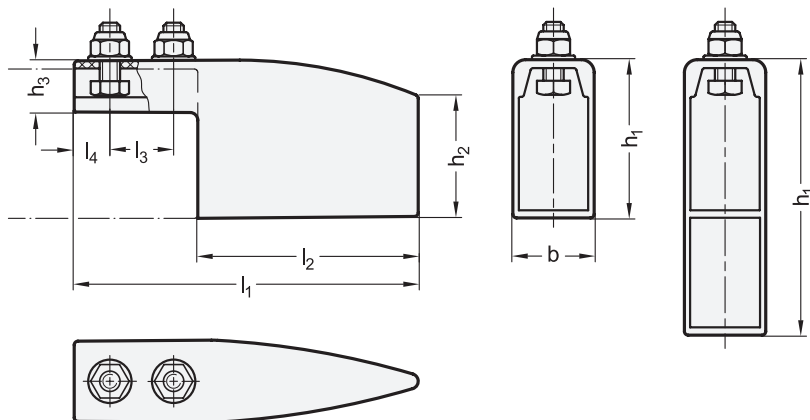


Identification no. 1 Identification no. 2



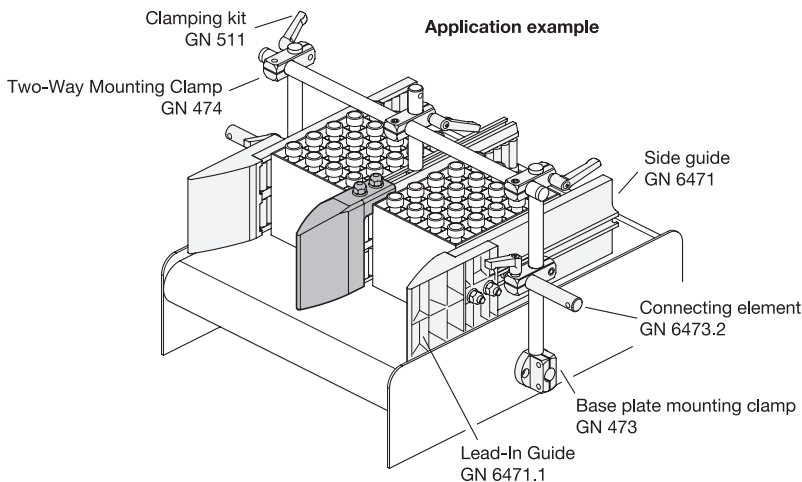
elesa
Original design PGC-2 / PGC-4



1 Identification no.

- 1 Single row
- 2 Double row

Application example



2

l ₁	b	h ₁		h ₂		h ₃	l ₂	l ₃	l ₄
		Id. no. 1	Id. no. 2	Id. no. 1	Id. no. 2				
135	32	62	107,7	48	93,7	20,5	85	25	14

Specification

Guide

Plastic, Polyethylene

PE

• Operating temperature -20 °C to 90 °C

• Gray

● GR

Hex head screws / nuts

Stainless steel AISI 304

RoHS

3

4

Lead-in guides GN 6472.1 extend side guides GN 6472 and ensure a smooth material flow. They are mounted on the end face by sliding into the T-slot of the side guide using the supplied nuts.

see also...

GN 6472 Side Guides

Page

QVX

Technical Information

Plastic Characteristics

QVX

Stainless Steel Characteristics

QVX

How to order

1	Identification no.
2	l ₁
3	Material
4	Color

GN 6472.1-1-135-PE-GR

3.1
3.2
3.3
3.4
3.5
3.6
3.7
3.8
3.9
3.10

