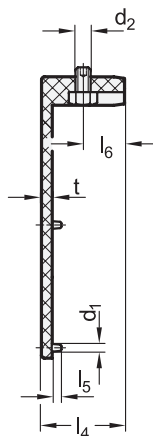
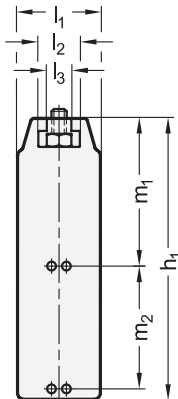
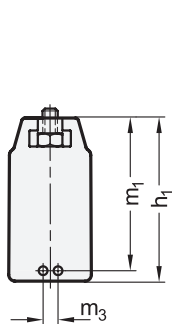


Identification no. 1

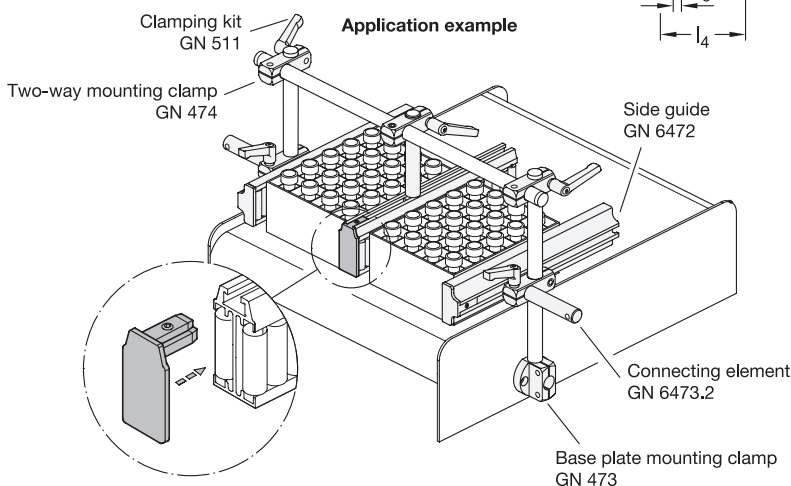
Identification no. 2



**elesa**  
Original design TGL

**Identification no.**

- 1 Single row
- 2 Double row



| $l_1$ | $d_1$ | $d_2$ | $h_1$ | Id. no. 1 | Id. no. 2 | $l_2$ | $l_3$ | $l_4$ | $l_5$ | $l_6$ | $m_1$ | $m_2$ | $m_3$ | $t$ |
|-------|-------|-------|-------|-----------|-----------|-------|-------|-------|-------|-------|-------|-------|-------|-----|
| 26    | 2,5   | M 5   | 57,4  | 102,7     | 13,5      | 8     | 27    | 3     | 13,5  | 53,7  | 45,7  | 4,7   | 3,5   |     |

**Specification**

**End cap**

Plastic, polyamide **PA**  
 • Operating temperature -30 °C to +100 °C  
 • Gray ● GR

**Grub screw / nut**

Stainless steel AISI 304

RoHS

End caps GN 6472.2 extend side guides GN 6472. They ensure an attractive appearance and protect against injuries or damage to the conveyed goods. They are mounted on the end face by sliding into the T-slot of the side guide using the supplied grub screw.

see also...

**GN 6472** Side Guides Page QVX

**Technical Information**

Plastic Characteristics QVX

Stainless Steel Characteristics QVX

**How to order**

|   |                    |
|---|--------------------|
| 1 | Identification no. |
| 2 | $l_1$              |
| 3 | Material           |
| 4 | Color              |

**GN 6472.2-2-26-PA-GR**

3.1  
3.2  
3.3  
3.4  
3.5  
3.6  
3.7  
3.8  
3.9  
3.10