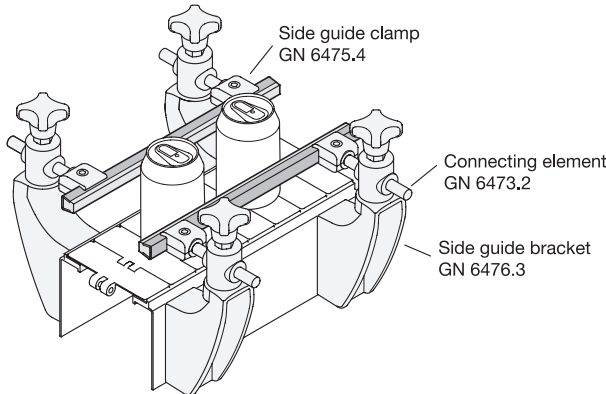


Application example



elesa  
Original design GLP / GLP-HT



**1 Type**  
T Retaining profile trapezoidal

h <sub>1</sub>		Length l		b <sub>1</sub>	h <sub>2</sub>	b <sub>2</sub>	Packaging unit
Nominal size	Actual dimension						
12	11,6	1500	3000	18	17	-	2
32*	31,7	1500	3000	21	17	7,6	2

\* Only available in PE

**Specification**

**Guide profile**

- Plastic, polyethylene **PE**
  - Operating temperature -20 °C to +90 °C
  - Shock resistant
  - White
- Plastic, polytetrafluorethylene (PTFE) **HT**
  - Operating temperature -200 °C to +260 °C
  - Shock resistant
  - White

**Retaining profile**

Stainless steel AISI 304

RoHS

**Accessory**

	Page
GN 6475.3 Side Guide Clamps	QVX
GN 6475.4 Side Guide Clamps	QVX
GN 6475.5 Side Guide Clamps	QVX

Side guides GN 6475 are attached to the sides of conveyor sections and guide the conveyed goods smoothly without damage. Due to the materials used, the side guides are ideal for use in corrosive environments. They are fastened using the trapezoidal retaining profile with side guide clamps GN 6475.3, GN 6475.4 or GN 6475.5.

The side guides are delivered in packaging units of 2 pieces each. They can be shortened as needed.

see also...

	Page
GN 6475.1 Side Guides (Guide Contour Rounded)	QVX
GN 6475.2 Side Guides (Guide Contour Flat, Stepped)	QVX
GN 6476 Side Guide Brackets (Rigid, with Contact Edge)	QVX
GN 6476.2 Side Guide Brackets (Swiveling, with Contact Edge)	QVX
GN 6476.3 Side Guide Brackets (Swiveling)	QVX

**Technical Information**

Plastic Characteristics	QVX
Stainless Steel Characteristics	QVX

How to order

<b>1</b>	Type
<b>2</b>	h <sub>1</sub> (Nominal size)
<b>3</b>	Length l
<b>4</b>	b <sub>1</sub>
<b>5</b>	Material

**GN 6475-T-12-1500-18-HT**