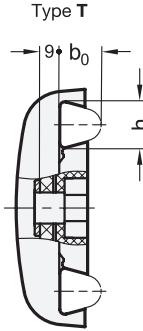
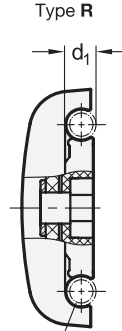


Tension plate markings on type T



Type T



Type R

Construction tube
GN 990



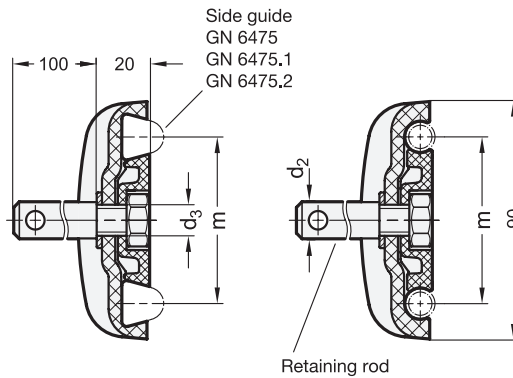
elesa

Original design MPG-2T / MPG-2T-P



1 Type

- T** Retaining profile trapezoidal
- R** Retaining profile round



Side guide
GN 6475
GN 6475.1
GN 6475.2

Retaining rod

2 d_1		2 h		3 d_2			b_0			d_3		m		
Type R	Type T	Retaining rod		GN 6475	GN 6475.1	GN 6475.2			M 10	Type T	Type R			
B 12	17	D 12	D 14	D 16	18 / 21	18	20				64	67		

Specification

Clamp

- Plastic, polyamide (PA)
- Operating temperature -30 °C to +100 °C
- Shock resistant
- Black

Retaining rod / Nut

Stainless steel AISI 304

RoHS

Technical Information

Page

Plastic Characteristics	QVX
Stainless Steel Characteristics	QVX

Side guide clamps GN 6475.5 attach two side guides at once to conveyor sections. The version with retaining rod additionally requires the use of side guide holders GN 6476, GN 6476.2 or GN 6476.3. The version with an internal thread enables direct mounting, for example on a side wall. When installing type T, the “1.9” markings on the tension plate must point towards the side guides as shown in the drawing.

see also...

	Page
GN 6475 Side Guides (Guide Contour Flat)	QVX
GN 6475.1 Side Guides (Guide Contour Rounded)	QVX
GN 6475.2 Side Guides (Guide Contour Flat, Stepped)	QVX
GN 6476 Side Guide Brackets (Rigid, with Contact Edge)	QVX
GN 6476.2 Side Guide Brackets (Swiveling, with Contact Edge)	QVX
GN 6476.3 Side Guide Brackets (Swiveling)	QVX
GN 990 Construction Tubes	QVX

How to order (Without retaining rod)

GN 6475.5-R-B12	1 Type
	2 d_1 (h)

How to order (With retaining rod)

GN 6475.5-T-17-D14	1 Type
	2 h (d_1)
	3 d_2

3.1
3.2
3.3
3.4
3.5
3.6
3.7
3.8
3.9
3.10