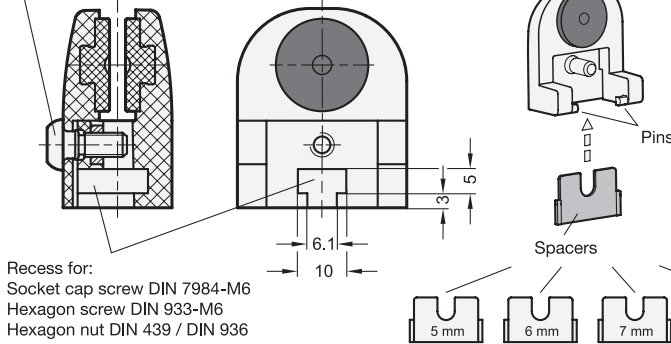


**2 Type**  
E Mounting on plane surface

Clamping screw, nut M5  
(max. 3.5 Nm)



Recess for:  
Socket cap screw DIN 7984-M6  
Hexagon screw DIN 933-M6  
Hexagon nut DIN 439 / DIN 936



b	s Clamping range	Spacers
35	3,1 = s < 4,1	-
	4,1 = s < 5,1	5 mm
	5,1 = s < 6,1	6 mm
	6,1 = s < 7,1	7 mm
	7,1 = s < 8,0	8 mm

**Specification**

- Clamping jaw  
Plastic  
Technopolymer (Polyamide PA)  
- Glass fiber reinforced  
- Gray, RAL 7042, matte finish  
- Temperature resistant up to 70 °C
- Rubber pad  
Elastomer (TPE)  
- 70 Shore A  
- Temperature resistant up to 70 °C  
- Black
- Spacer  
Technopolymer (Polyamide PA)  
- Gray, RAL 7042, matte finish  
- Temperature resistant up to 70 °C
- Clamping screw M5  
Steel  
Zinc plated, blue passivated
- Plastic Characteristics → Page 2158
- RoHS

**Information**

The panel support clamp GN 649 comply with Mechanical Engineering Directive 2006 / 42 / EG (captivity of the mounting element when open).  
The two clamping jaws remain connected also when open by means of a pin sliding into a groove. The clamping screw (M5) is also captive.  
The rubber pad is sheathed, i.e. firmly connected to the clamping jaws. Its structured surface prevents it from sticking to the plate element.  
Using spacers, panels with thicknesses ranging from 3 to 8 mm can be clamped. The 4 spacers are included parts of the order.

**see also...**

- Product Family Ergostyle® → Page 18
- Assembly Sets for Profile Systems 30 / 40 GN 965 → Page 2086
- Assembly Sets for Profile Systems 30 / 40 / 45 GN 968 → Page 2096

How to order	
1	b
2	Type

**GN 649-35-E**

3.1  
3.2  
3.3  
3.4  
3.5  
3.6  
3.7  
3.8  
3.9

