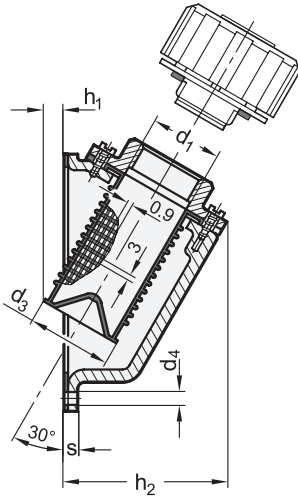
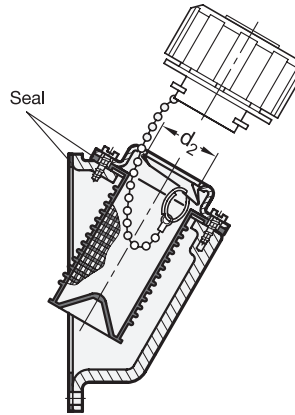


- 1) Breather caps
GN 663 / GN 774 / GN 774.1
with thread





- 1) Breather caps
GN 663 / GN 774
with bayonet (BA)



elesa
Original design PLRF+C



iF product
design
award

 d_1	 d_2	d_3	d_4	h_1	h_2	l_1	l_2	s
Thread G 1¼	Bayonet BA 39	49	7	18	92	148	117	7

1) Breather caps are to be ordered separately.

Specification

- Threaded flange
Plastic
 - Glass fiber reinforced
 - Black, matte finish
- Filler strainer
Plastic (Polypropylene PP)
 - Glass fiber reinforced
 - Temperature resistant up to 90 °C
 - Black, matte finish
- Flange for fitting bayonet
Steel, zinc plated, blue passivated
- Seal cork
Impregnated with rubber
- *Plastic Characteristics* → Page 2158
- RoHS

On request

- Mounting flange without the filler strainer

Information

Filler strainers GN 664.1 are available with mounting flange for threaded or bayonet (BA) connection. Filler strainers prevent the ingress of coarse impurities during the refilling process.

The side flange is fitted with 7 screws M6 on the wall of the tank. When installing the flange it is important that these are not overtightened (torque max. 8 Nm) to prevent deformation of the flange and possible weakening of the seal.

The mounting screws M6 for the side flange are **not included** part of the order.

see also...

- *Filler Strainers GN 664 (for Vertical Installation)* → Page 1634
- *Breather Caps GN 663* → Page 1612
- *Breather Caps GN 774* → Page 1620
- *Breather Caps GN 774.1* → Page 1614

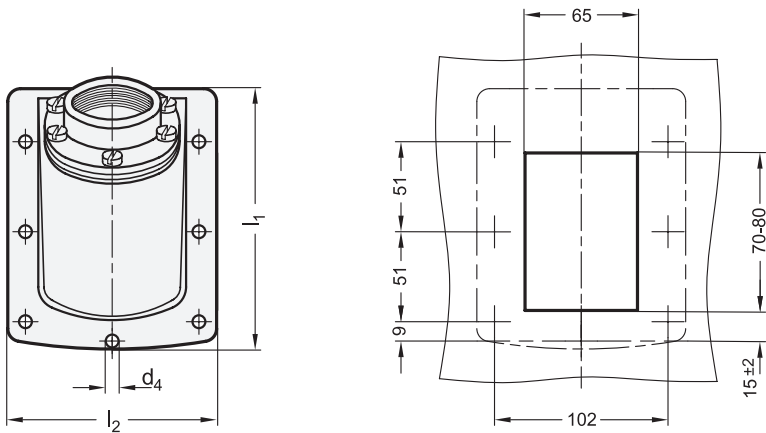
How to order

 **GN 664.1-G1¼**

1 d_1 (d_2)



Front view with hole pattern



3.1

3.2

3.3

3.4

3.5

3.6

3.7

3.8

3.9

