

**3 Type**

- A** Mounting from the back (threaded blind bore)
- B** Mounting from the operator's side

| <b>1</b> $d_1$ | <b>2</b> $l_1$ | $250$ | $300$ | $400$ | $500$ | $600$ | $b_1$ | $b_2$ | $d_2$ | $h \approx$ | $l_2$ | $l_3$ max. | $t$ min. |
|----------------|----------------|-------|-------|-------|-------|-------|-------|-------|-------|-------------|-------|------------|----------|
| 28             | 200            | 250   | 300   | 400   | 500   | 600   | 32    | 20    | M 8   | 60          | 20    | 11         | 15       |

**Specification**

**Handle tube / End pieces**

Aluminum

• Powder coated

Black, RAL 9005, textured finish

● **SW**

• Anodized, natural color

● **EL**

**Cover**

Plastic, Polyamide (PA)

Black, matte finish

**Fastening set for type B**

Steel, zinc plated

• Socket cap screws ISO 4762-M8x75

• Hex nuts ISO 4032-M8

• Washers DIN 125

RoHS

Tubular handles GN 669 offer the the advantage of high stability due to the connection of handle tube / handle leg.  
The screws of type B (mounting from operator's side) are shrouded.

see also...

GN 333.1 Tubular Handles

Page

QVX

**Technical Information**

Mounting information

QVX

Load Rating Information

QVX

Plastic Characteristics

QVX

**How to order**

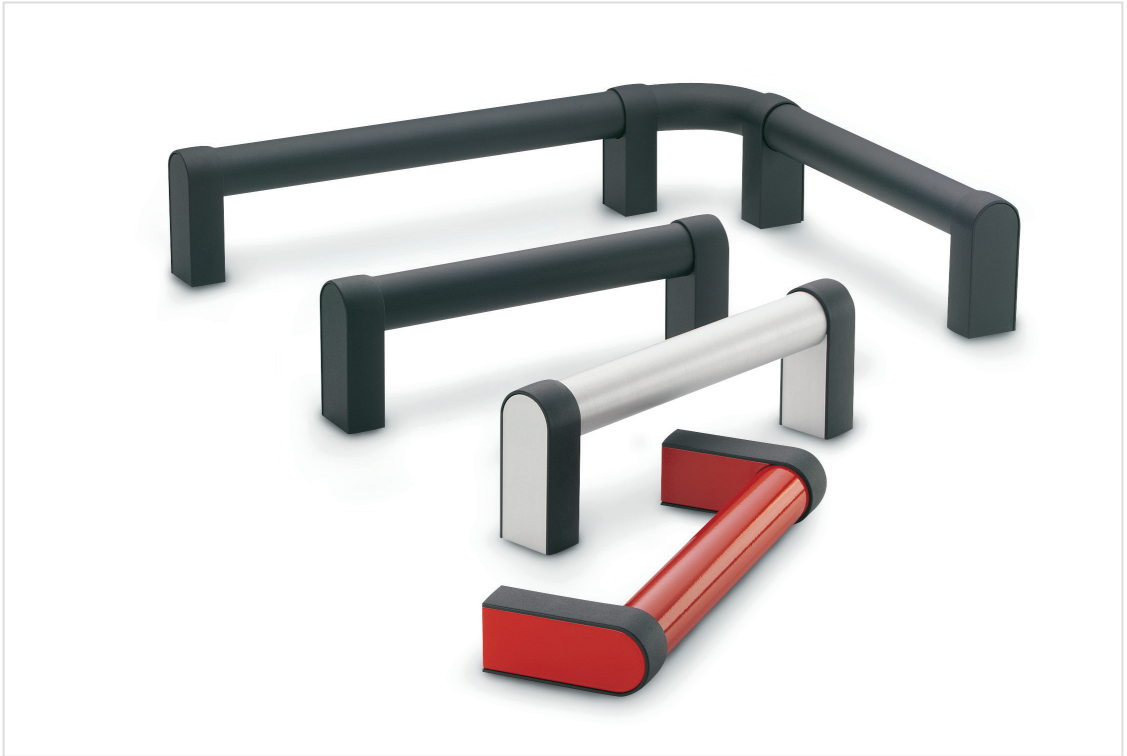
**GN 669-28-400-A-EL**

**1**  $d_1$

**2**  $l_1$

**3** Type

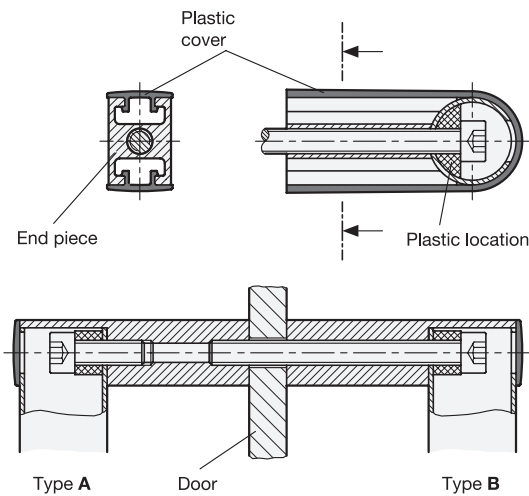
**4** Finish



### Mounting information

When mounting from the operator's side (Type B) the plastic cover is supplied loose. Once the handle has been mounted this cover is pushed over the end of the handle tube and the end piece until it snaps into the end of the groove at the tube end.

Both mounting methods (Type A and B) allow the mounting of a pair of handles in opposite position. This method could be used on doors (double handle). Depending on the door thickness longer socket cap screws ISO 4762 might be required.



Mounting as a double handle