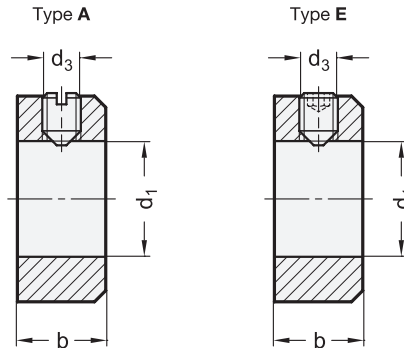
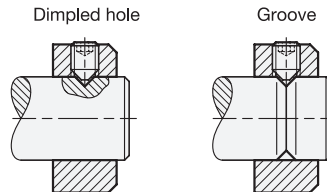


Second grub screw for $d_1 > 70$



Assembly examples

Positioning through



EDDELSTAHL®
Rostfrei
Inox
Stainless
Steel

2 Type

- A** Grub screw with slot ISO 7434 (DIN 553)
- E** Grub screw with internal hexagon DIN 914

1

d_1 H8	Steel blackened Type A Type E	Steel * zinc plated ZB Type E	Stainless steel NI Type E	d_2	d_3	b js14
5	5	5	5	10	M 3 x 4	6
6	6	6	6	12	M 4 x 5	8
7	7	7	7	12	M 4 x 5	8
8	8	8	8	16	M 4 x 6	8
9	9	9	9	18	M 5 x 8	10
10	10	10	10	20	M 5 x 8	10
11	11	11	11	20	M 5 x 8	10
12	12	12	12	22	M 6 x 8	12
13	13	13	13	22	M 6 x 8	12
14	14	14	14	25	M 6 x 8	12
15	15	15	15	25	M 6 x 8	12
16	16	16	16	28	M 6 x 8	12
18	18	18	18	32	M 6 x 8	14
20	20	20	20	32	M 6 x 8	14
22	22	22	22	36	M 6 x 10	14
24	24	24	24	40	M 8 x 12	16
25	25	25	25	40	M 8 x 10	16
26	26	26	26	40	M 8 x 10	16
28	28	28	28	45	M 8 x 12	16

1

d_1 H8	Steel blackened Type A Type E	Steel * zinc plated ZB Type E	Stainless steel NI Type E	d_2	d_3	b js14
30	30	30	30	45	M 8 x 10	16
32	32	32	32	50	M 8 x 12	16
34	-	34	34	50	M 8 x 12	16
35	35	35	35	56	M 8 x 12	16
36	-	36	36	56	M 8 x 12	16
38	-	38	38	56	M 8 x 12	16
40	40	40	40	63	M 10 x 16	18
42	-	42	42	63	M 10 x 16	18
45	45	45	45	70	M 10 x 16	18
48	-	48	48	70	M 10 x 16	18
50	50	50	50	80	M 10 x 16	18
52	-	-	-	80	M 10 x 16	18
55	55	-	-	80	M 10 x 16	18
60	60	-	-	90	M 10 x 16	20
65	-	-	-	100	M 10 x 20	20
70	70	-	-	100	M 10 x 20	20
75	-	-	-	110	M 12 x 20	22
80	80	-	-	110	M 12 x 20	22

* The tolerances given in accordance with DIN 705 apply to blank shaft collars. As a rule, the surface treatment has no detrimental effect on the proper function.



Shaft Collars GN 705
 Threaded Shaft Collars GN 706.3 → Page 1078
 Semi-Split Shaft Collars GN 706.2 → Page 1148
 Quick Release Shaft Collars GN 704 → Page 1153
 Split Shaft Collars GN 707.5 (Plastic) → Page 1158
 Semi-Split Shaft Collars GN 7062.2 / GN 7062.3 (Stainless Steel) → Page 1150 / 1151
 Semi-Split Shaft Collars GN 7062.1 (Stainless Steel) → Page 1149 with Sensor Holders GN 7062.10 → Page 1160
 Split Shaft Collars GN 707.2 → Page 1154 with Adjustable Hand Levers GN 311 → Page 1159
 Split Shaft Collars GN 7072.1 / GN 7072.2 (Stainless Steel) → Page 1155 / 1156

Specification



- Steel Blackened —
- Steel Zinc plated, blue passivated **ZB**
- Stainless steel AISI 303 **NI**
- *ISO Fundamental Tolerances* → Page 2151
- *Stainless Steel Characteristics* → Page 2166
- **RoHS**

Information

Shaft collars GN 705 essentially comply with the versions of DIN 705. GN 705 also contains a number of practical intermediate sizes in addition to the DIN-versions as well as Type E (grub screw with internal hexagon). The clamping is done radially on the shaft or axle surface. Together with a dimpled hole or a groove at the collet diameter, the shaft collars can be positioned exactly and, at the same time, damage to the clamping point can be avoided.

see also...

- *Semi-Split Shaft Collars GN 706.2* → Page 1148

How to order (Steel, blackened)	1	d ₁
GN 705-20-A	2	Type

How to order (Steel, zinc plated)	1	d ₁
GN 705-10-E-ZB	2	Type
	3	Finish

How to order (Stainless steel)	1	d ₁
GN 705-10-E-NI	2	Type
	3	Material

3.1
3.2
3.3
3.4
3.5
3.6
3.7
3.8
3.9

