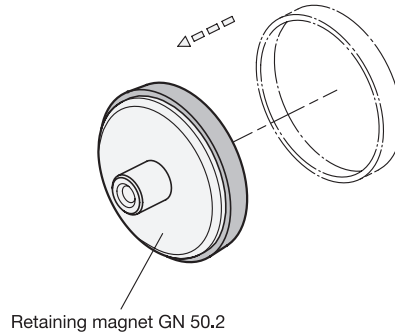

Application example


2

d_1	d_2	h	s
16	17	3	0,5
20	21	5	0,5
25	26	5	0,5
32	33	5	0,5
40	41	6	0,5
50	51	6	0,5
63	64	6	0,5
80	85	11	0,5

Specification

1

3

- Rubber
Acrylonitrile butadiene rubber **NBR**
- Black ● **SW**
- 75±10 Shore A
- Temperature resistant -30 °C up to 100 °C
- *Elastomer Characteristics* → Page 2158
- **RoHS**

Information

Rubber caps GN 70.2 can be used with all non-rubberized retaining magnets. The inner diameter values d_1 are matched to the respective outer diameters of the magnets. The specified nominal magnetic forces of the magnets are reduced due to the 0.5 mm wall thickness of the caps.

Rubber caps protect surfaces from being damaged by the magnet. They also prevent hard, loud contacts, and the increased friction reduces sideways slippage.

The rubber caps are easily affixed to the magnet by hand and can be removed again, if necessary.

see also...

- *More Information to Retaining Magnets* → Page 2028
- *Holding Disks GN 70* → Page 2072
- *Adhesive Disks GN 70.1* → Page 2073

How to order
GN 70.2-NBR-63-SW

1	Material
2	d_1
3	Color