

GN 721.5

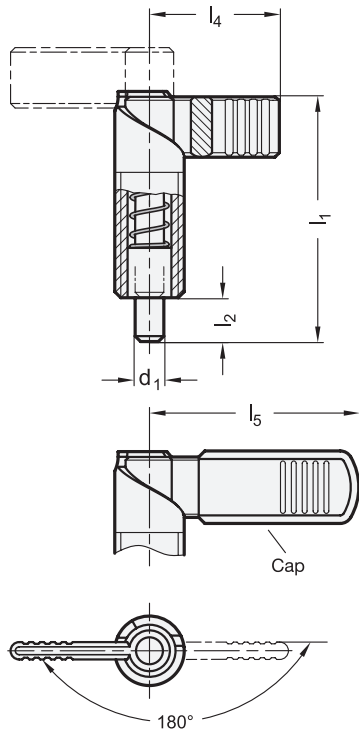
without locking function

GN 721.6

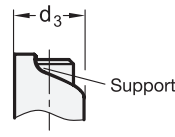
with locking function

Cam Action Indexing Plungers

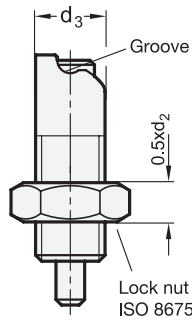
Stainless Steel, with 180° Limit Stop



GN 721.5



GN 721.6



3 Type

- RA** Right-hand lock
- RB** Right-hand lock, with plastic cap
- RAK** Right-hand lock, with lock nut
- RBK** Right-hand lock, with plastic cap, with lock nut
- LA** Left-hand lock
- LB** Left-hand lock, with plastic cap
- LAK** Left-hand lock, with lock nut
- LBK** Left-hand lock, with plastic cap, with lock nut

d ₁ Pin -0.05 -0.08 Bore H7	d ₂	d ₃	l ₁	l ₂	l ₃ +1,5	l ₄	l ₅	Spring load in N ≈	
								Initial	End
5*	M 10 x 1	10	37,5	6	19	21	-	7	20
6	M 12 x 1,5	12	47	8	26	26	32	8	18
8	M 16 x 1,5	16	56	10	30	32	42	11	29
10	M 20 x 1,5	20	69	12	37	37	52	21	57

* This size is only available in types LA, LAK, RA and RAK.

Specification

Guide / Plunger pin / Latch arm

Stainless steel AISI 303

Cap for type RB / RBK / LB / LBK

Plastic, Polyamide (PA)

Black, matte finish

Pressure spring

Stainless steel AISI 301

RoHS

Technical Information

Technical Information	Page
List of cam action indexing plunger types	QVX
Load Rating Information	QVX
ISO Fundamental Tolerances	QVX
Plastic Characteristics	QVX
Stainless Steel Characteristics	QVX

For cam action indexing plungers GN 721.5 the indexing plunger pin is withdrawn by turning the lock by 180°. The groove on cam action indexing plungers GN 721.6 ensures that the locking pin remains in its withdrawn position.

For opposing cam action indexing plungers the left or right-handed types allow practical use, that is the same setting of the lock.

see also...

GN 721 | GN 721.1 Cam Action Indexing Plungers (Steel) Page QVX

Accessory

GN 909.5 Thin Hex Nuts QVX

How to order (without locking function)

1	d ₁
2	d ₂
3	Type

GN 721.5-8-M16x1,5-RAK

How to order (with locking function)

1	d ₁
2	d ₂
3	Type

GN 721.6-10-M20x1,5-LBK

3.1
3.2
3.3
3.4
3.5
3.6
3.7
3.8
3.9
3.10

