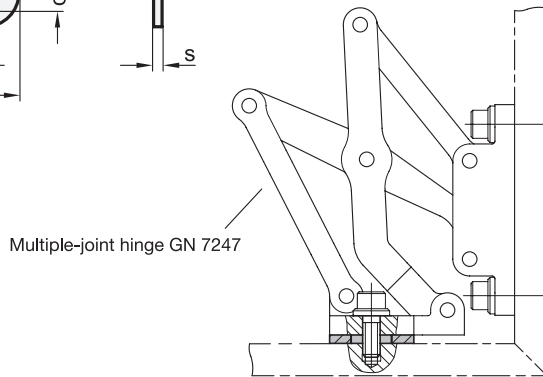


Mounting example



ROSTFREI®
Inox
Stainless
Steel

2

3

Length l	s	1	2	b	d ₁	d ₂	m ₁	m ₂	m ₃
60	0,5	1	2	30	6,5	4,2	46	8	28

Specification

1

4

- Stainless steel AISI 304 **NI**
Matte finish, ground **MT**
- *Stainless Steel Characteristics* → Page 2166
- **RoHS**

On request

- Other plate thicknesses

Information

Tolerances of chamfers, different sheet metal thicknesses or the use of seals could mean that the mounting surfaces of multiple-joint hinges on the frame and door do not have the desired separating distance.

Spacer plates GN 7247.2 are designed with appropriate dimensions as accessories for multiple-joint hinges GN 7241, GN 7243 and GN 7247. They allow for adjustment in the third plane during mounting. Shimmed individually or in combination, they provide the desired position or height compensation on the fastening surfaces.

The holes d₂ receive tensioning or positioning pins, if necessary, making it easy to position the spacer plates and the multiple-joint hinges.

see also...

- *Plates GN 7247.6 (with Threaded Studs)* → Page 1368
- *Multiple-Joint Hinges GN 7241 (Opening Angle 90°)* → Page 1354
- *Multiple-Joint Hinges GN 7243 (Opening Angle 120°)* → Page 1358
- *Multiple-Joint Hinges GN 7247 (Opening Angle 180°)* → Page 1362

How to order

GN 7247.2-NI-60-1-MT

- 1 Material
- 2 Length l
- 3 s
- 4 Finish

1 2 3 4