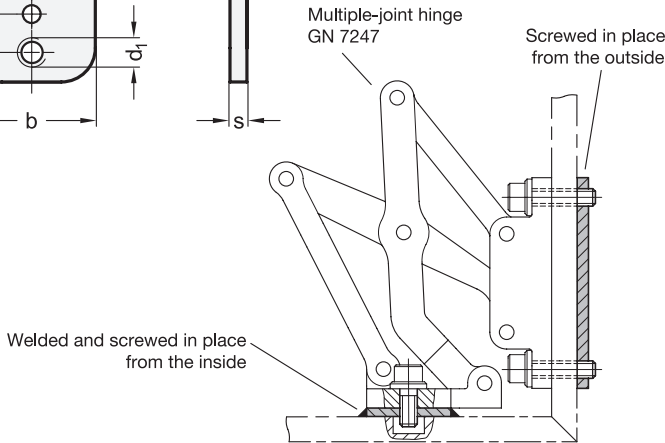


Mounting example



ROSTFREI
Inox
Stainless
Steel

2

Length l	b	d ₁	d ₂	m ₁	m ₂	s
60	30	M 6	4	46	28	4
75	30	M 6	4	61	40	4

Specification

1

3

- Stainless steel AISI 304 **NI**
Matte finish, ground **MT**
- Stainless Steel Characteristics → Page 2166
- RoHS

On request

- Other plate sizes
- Other plate geometries

Information

Plates with tapped holes GN 7247.4 are designed with appropriate dimensions to be used as accessories for the fastening flanges of multiple-joint hinges GN 7241, GN 7243 and GN 7247.

The plates are fastened from the outside via through-holes in the housing wall or alternatively by welding to the inside of the wall. This results in effective protection against vandalism, and the outsides of the housing remain free of attachments that do not match the design or that should be avoided entirely in the interests of easy cleaning.

They make threaded holes, nuts and washers unnecessary during installation. This eliminates the labor-intensive pre-installation of such parts as well as the need to hold them in place during tightening or loosening. The plate thickness s corresponds to the minimum screw-in depth of thread d₁, which should be fully achieved.

The holes d₂ receive tensioning or positioning pins, if necessary, making it easy to position the plates and the multiple-joint hinges.

see also...

- Plates GN 7247.6 (with Threaded Studs) → Page 1368
- Multiple-Joint Hinges GN 7241 (Opening Angle 90°) → Page 1354
- Multiple-Joint Hinges GN 7243 (Opening Angle 120°) → Page 1358
- Multiple-Joint Hinges GN 7247 (Opening Angle 180°) → Page 1362

How to order

GN 7247.4-NI-75-MT

1 2 3

1	Material
2	Length l
3	Finish

