

Fork head DIN 71752

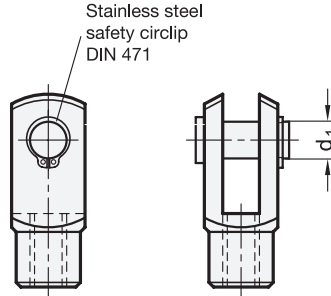
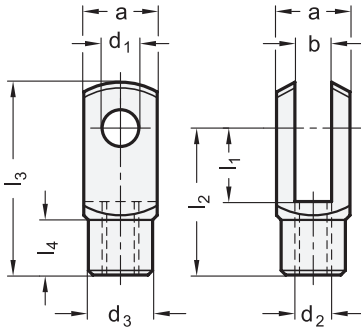
Fork joint GN 751



ROSTFREI®
Inox
Stainless
Steel

4 Type

A Pin with safety circlip DIN 417



1 d_1 H9/h11	2 l_1	3 d_2	a	b	d_3	l_2	l_3	l_4
4	8	M 4	8	4	8	16	24	6
5	10	M 5	10	5	9	20	30	7,5
6	12	M 6	12	6	10	24	36	9
8	16	M 8	16	8	14	32	48	12
10	20	M 10	20	10	18	40	60	15
12	24	M 12	24	12	20	48	72	18
14	28	M 14	28	14	24	56	85	22,5
16	32	M 16	32	16	26	64	96	24
20	40	M 20	40	20	34	80	-	30

Specification

- Stainless steel AISI 304 Plain **NI**
- Safety circlip DIN 471 Stainless steel German Material No. 1.4122
- ISO Fundamental Tolerances → Page 2151
- Stainless Steel Characteristics → Page 2166
- RoHS

On request

- Fork heads in accordance with DIN 71752 with $d_1 = 30$ and 35

5 Information

Information

Stainless steel fork joints GN 751 consists of a fork head according to DIN 71752 and a pin with one safety circlip DIN 471.

Standard DIN 71752 does not foresee size $d_1 = 20$.

see also...

- Fork Joints GN 751 (Steel) → Page 1662

How to order (With pin)

1	d_1
2	l_1
3	d_2
4	Type
5	Material

GN 751-8-16-M8-A-NI

How to order (Without pin)

1	d_1
2	l_1
3	d_2
5	Material

DIN 71752-6-24-M6-NI