

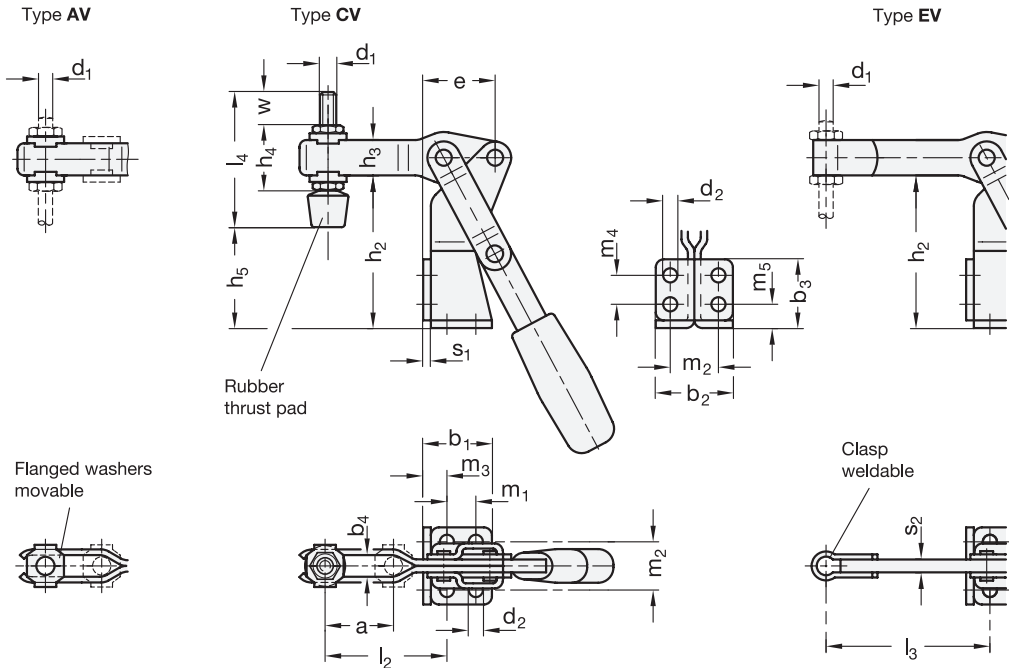
2 Type

- AV** Forked clamping arm, with two flanged washers
- CV** Forked clamping arm, with two flanged washers and clamping screw GN 708.1
- EV** Solid clamping arm, with clasp for welding

1

Size	F _H in N Holding capacity	a ≈	b ₁	b ₂	b ₃	b ₄	d ₁	d ₂	e	h ₁ ≈	h ₂	h ₃	h ₄	h ₅ max.
200	1200	34	35	38	35	8,5	M 8	6,5	37	154	76	17	29	52
300	1900	42	48	48	51	10,4	M 10	8,5	46	198	108	20	35	79,5

Size	l ₁ ≈	l ₂ ≈	l ₃ max.	l ₄	m ₁	m ₂	m ₃	m ₄	m ₅	r ≈	s ₁	s ₂	w Adjustable range
200	158	59	76	68	16	26	11	16	11	96	3	6	21
300	194	74	95	77	28	30	11,5	30	12	122	3	8	21



Specification

- Parts in sheet metal
Case-hardened steel C 10
Zinc plated, blue passivated
- Bearing pins tempered
- Bearing rivets case-hardened
- All moving parts
Lubricated with special grease
- Solid designed plastic handle
Red, oil resistant
- Clamping screw GN 708.1, type A
- Steel, zinc plated, blue passivated
- Rubber thrust pad 85 Shore A

• RoHS

Accessory

- Clamping Screws → Page 810 ff.
- Holders for Clamping Screws GN 801
(for Type AV) → Page 815

Information

Toggle clamps GN 812 work according to the toggle principle, lever and clamping bar move in the same direction. They can be mounted in two planes via the dual flanged mounting base and require less space for the clamping action because the clamping arm and the operating lever move in opposite directions.

Toggle clamps with forked clamping arm, with two flanged washers (type AV) can accommodate an application specific clamping screw. A clamping screw with neoprene rubber tip is also included for Type CV.

Toggle clamps in the type EV version can either be utilized by welding the clasp which can then accommodate an application specific hold-down fastener component, or by utilizing the bar in conjunction with the GN 809 holders for clamping screws to hold the work piece in place.

see also...

- General Information for Toggle Clamps → Page 698

How to order

GN 812-300-EV

1 Size

2 Type

