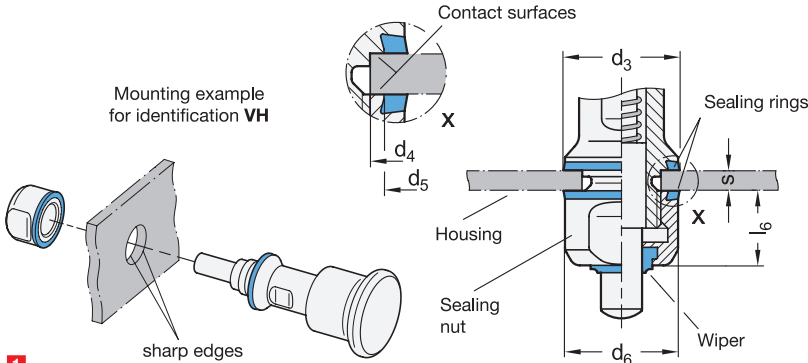


2 Type
C with rest position

3 Identification
FH Knob side Hygienic Design (front hygiene)
VH Knob and pin side Hygienic Design (full hygiene)



d ₁ Plunger f8 Bore H8	d ₂	d ₃	d ₄ -0,1	d ₅	d ₆	d ₇	l ₁	l ₂	l ₃	l ₄	l ₅	l ₆	k	s clamping length	A/F ₁	A/F ₂	Spring load in N ≈ initial end	
6	M 12 x 1,5	22,8	16	18	22	35	6	12	49,8	27,5	50,5	14,5	29	1,5 ... 4	14	18	20	36
8	M 16 x 1,5	22,8	16	18	22	35	8	12	54,3	29,5	55,5	14,5	29	1,5 ... 4	14	18	22	32

Specification

- Stainless Steel
AISI 316 (A4)
Plunger pin case hardened
- Spring
Stainless Steel AISI 301
- Seals, blue, FDA compliant
temperature resistant -25 °C to +110 °C
- Sealing ring
H-NBR, hardness 85 ±5 Shore A
- Wiper
TPU, hardness 95 ±5 Shore A
- All moving parts lubricated with
FDA-compliant special grease
- ISO-Fundamental tolerances → Page 1479
- Elastomer characteristics → Page 1483
- Stainless Steel characteristics → Page 1489
- RoHS

Information

GN 8170 Stainless Steel-Indexing plungers are intended for use in hygienic areas. The wiper between the pin and guide keeps the mechanics sealed, and the high surface quality and dead-space-free mounting prevent dirt from adhering and facilitate cleaning.

The indexing plungers with identification FH satisfy hygienic requirements on the knob side. For applications with hygienic requirements on the pin side as well, the indexing plungers with identification VH are used, which have an additional sealing nut. Mounting holes and through-holes in the housing must be at a right angle, free of burrs and without a chamfer. This ensures that the sealing rings will function properly.

Indexing plungers with a rest position are used for such applications where the plunger has to stay in its retracted position. In that case, the knob is retracted and afterwards turned by 90°. A notch keeps the plunger in this position.

see also...

- Product family *Hygienic Design* → Page 16 / 18

How to order GN8170-8-C-FH	1	d ₁
	2	Type
	3	Identification

3.1
3.2
3.3
3.4
3.5
3.6
3.7
3.8
3.9
3.10